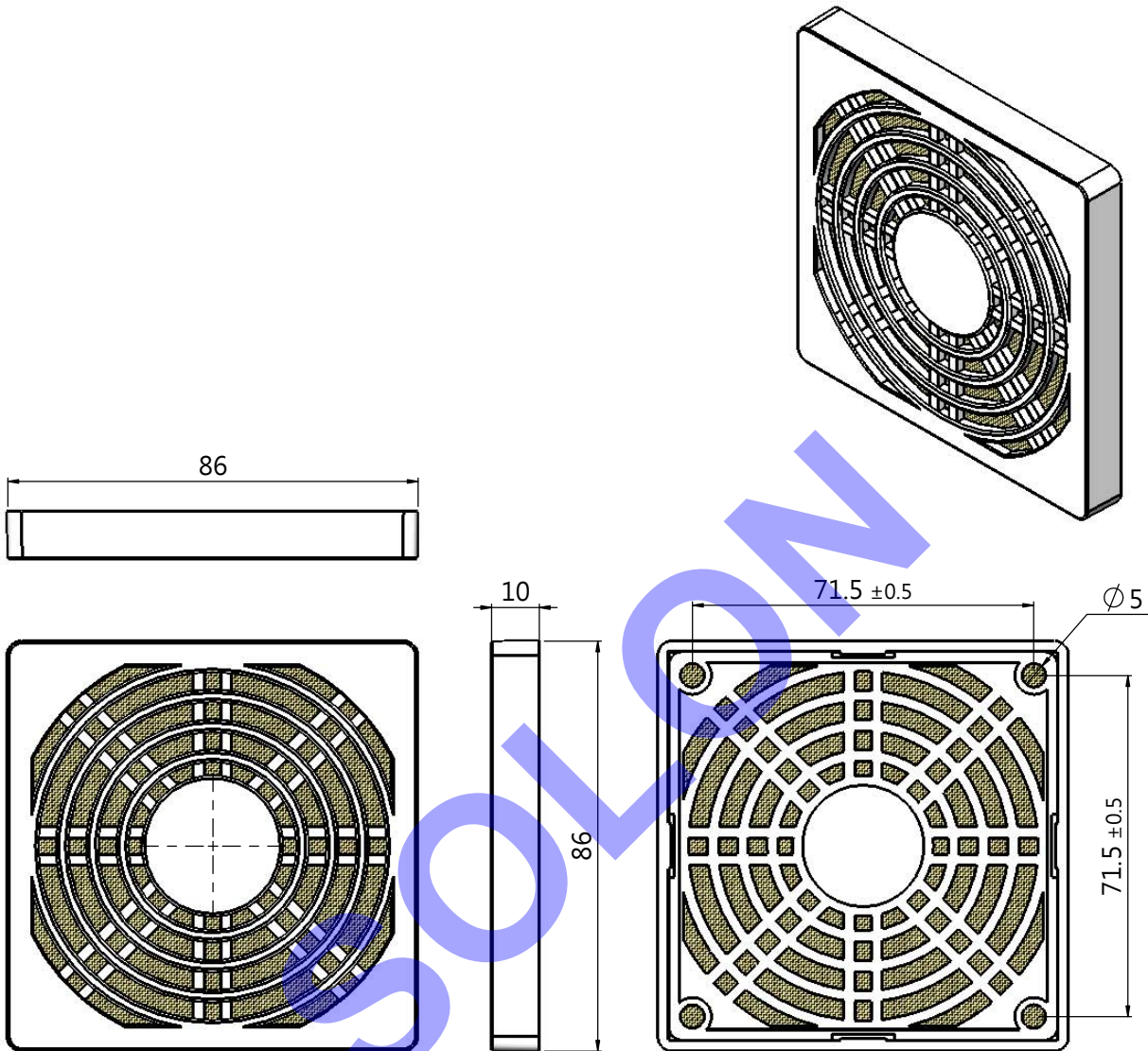


REVISION			
Rev.	Description	Date	Approval
-	-	-	-



Notes:

- Material: Cover-ABS Resin, UL94-HB
Bottom-ABS Resin, UL94-HB
Filter-不織布Non-woven fabric
- Color: White 白色
- Unless otherwise specified:
The tolerance is listed as follows:
X.X - ±0.10mm
X.XX - ±0.05mm
- Weight: 32 g

2022.05.06
工程部

批准
2022.05.06
洋健企業

		DIMENSIONS ARE IN MILLIMETER		NAME	DATE	Model NO. FA-80B				
		TOLERANCES:		DRAWN	Neafa	5/6/22"				
		FRACTIONAL ±		CHECKED			Card NO. HC-860			
		ANGULAR: MACH ± BEND ±		ENG APPR.			PART NO. AB-6027-0			
		TWO PLACE DECIMAL ±		MFG APPR.			PART NAME			
		THREE PLACE DECIMAL ±		Q.A.			Plastic Fan Filter			
		MATERIAL		SOLON				SIZE	DWG. NO.	REV.
NEXT ASSY	USED ON	FINISH						A	AB-6027-0	0
APPLICATION		DO NOT SCALE DRAWING		SCALE:1:5		WEIGHT:		SHEET 1 OF 1		

PROPRIETARY AND CONFIDENTIAL
THE INFORMATION CONTAINED IN THIS DRAWING IS THE SOLE PROPERTY OF SOLON ENTERPRISE CO., LTD. ANY REPRODUCTION IN PART OR AS A WHOLE WITHOUT THE WRITTEN PERMISSION OF SOLON ENTERPRISE CO., LTD. IS PROHIBITED.