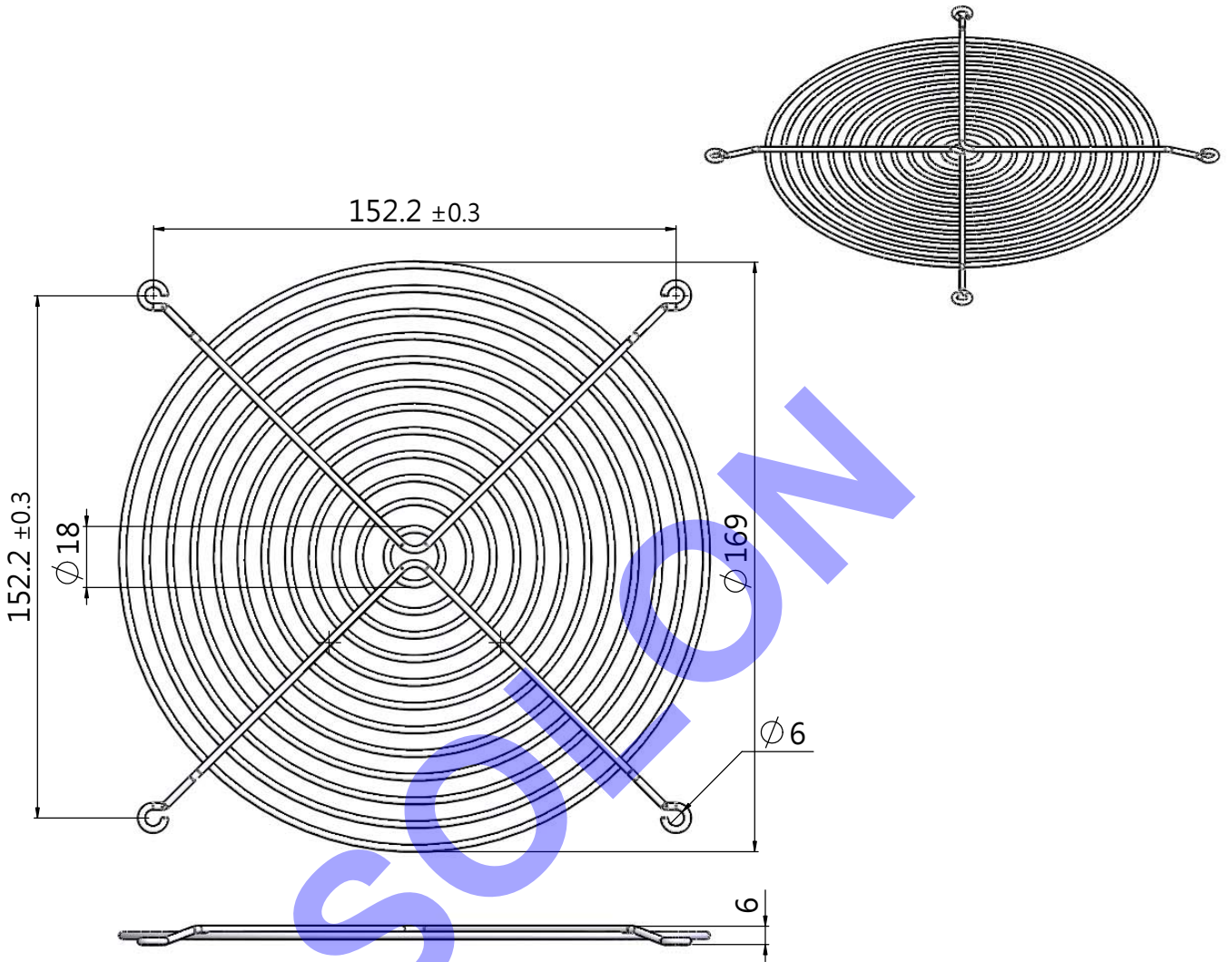


REVISION			
Rev.	Description	Date	Approval
-	-	-	-



Notes:

- Material: C1008 Wire 低碳鋼線
- Finish: Bright Nickel Chromate plated 光澤鎳鉻電鍍
- Unless otherwise specified:
The tolerance is listed as follows:
X.X - ±0.10mm
X.XX - ±0.05mm
- Weight: 80 g
- Welding joint must to be withstand 88 lbs pull
焊接處需能承受88磅拉力



		DIMENSIONS ARE IN MILLIMETER		NAME	DATE	Model NO. SP-180	
		TOLERANCES:		DRAWN	Neafa	2013/6/21	
		FRACTIONAL ±		CHECKED			Card NO. HC-088
		ANGULAR: MACH ± BEND ±		ENG APPR.			PART NO. SP-0081-10
		TWO PLACE DECIMAL ±		MFG APPR.			
		THREE PLACE DECIMAL ±		Q.A.			
		MATERIAL		PART NAME Metal Fan Guard			
		FINISH					
NEXT ASSY		USED ON		<div style="text-align: center; font-size: 2em; font-weight: bold;">SOLON</div>			
APPLICATION		DO NOT SCALE DRAWING					
				SIZE	DWG. NO.	SP-0081-10	REV. 0
				SCALE: 1:5	WEIGHT:		SHEET 1 OF 1

PROPRIETARY AND CONFIDENTIAL
THE INFORMATION CONTAINED IN THIS DRAWING IS THE SOLE PROPERTY OF SOLON ENTERPRISE CO., LTD. ANY REPRODUCTION IN PART OR AS A WHOLE WITHOUT THE WRITTEN PERMISSION OF SOLON ENTERPRISE CO., LTD. IS PROHIBITED.