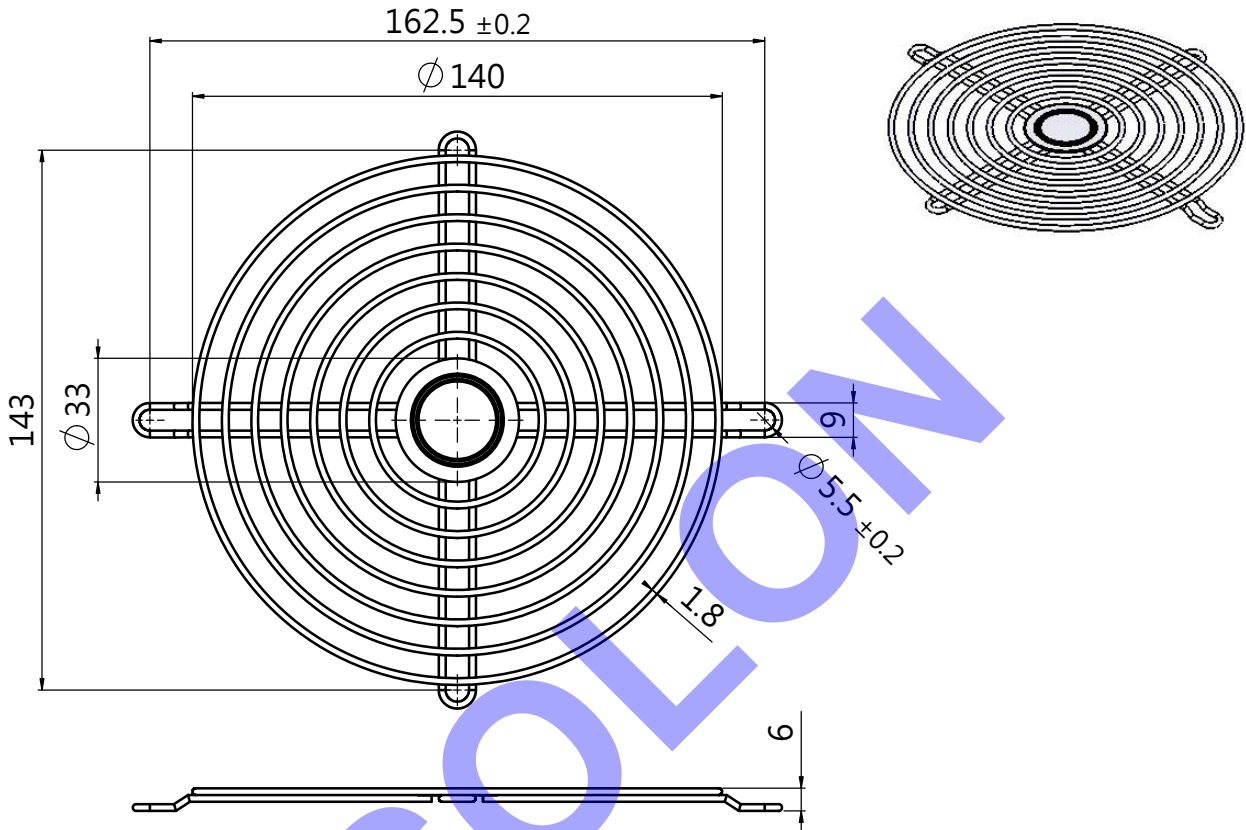


REVISION			
Rev.	Description	Date	Approval
-	-	-	-



Notes:

- Material: C1008 Wire 低碳鋼線
- Finish: Bright Nickel Chromate plated 光澤鎳鉻電鍍
- Unless otherwise specified:  
The tolerance is listed as follows:  
X.X - ±0.10mm  
X.XX - ±0.05mm
- Weight: 60 g
- Welding joint must to be withstand 220 lbs pull  
焊接處需能承受220磅拉力



		DIMENSIONS ARE IN MILLIMETER		NAME	DATE	Model NO. SP-172		
		TOLERANCES:		DRAWN	Neafa	2013/6/21		
		FRACTIONAL ±		CHECKED			Card NO. HC-013	
		ANGULAR: MACH ± BEND ±		ENG APPR.			PART NO. SP-0054-10	
		TWO PLACE DECIMAL ±		MFG APPR.			PART NAME Metal Fan Guard	
		THREE PLACE DECIMAL ±		Q.A.				
		MATERIAL		<b>SOLON</b>				SIZE A
NEXT ASSY	USED ON	FINISH						DWG. NO. SP-0054-10
APPLICATION		DO NOT SCALE DRAWING		SCALE:1:5	WEIGHT:	SHEET 1 OF 1		

**PROPRIETARY AND CONFIDENTIAL**  
THE INFORMATION CONTAINED IN THIS DRAWING IS THE SOLE PROPERTY OF SOLON ENTERPRISE CO., LTD. ANY REPRODUCTION IN PART OR AS A WHOLE WITHOUT THE WRITTEN PERMISSION OF SOLON ENTERPRISE CO., LTD. IS PROHIBITED.