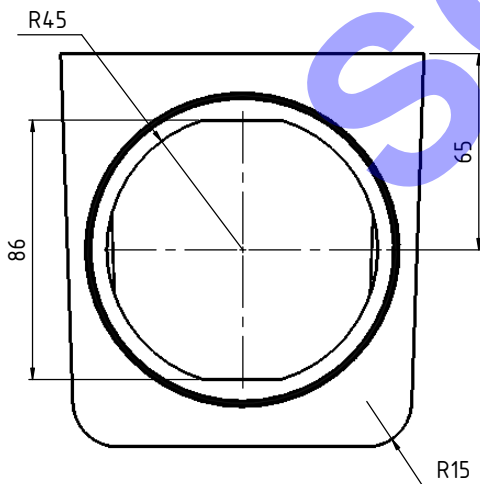
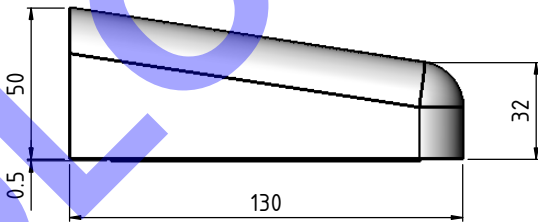
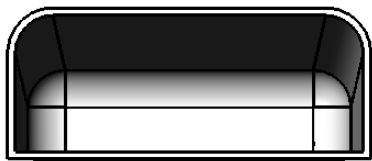
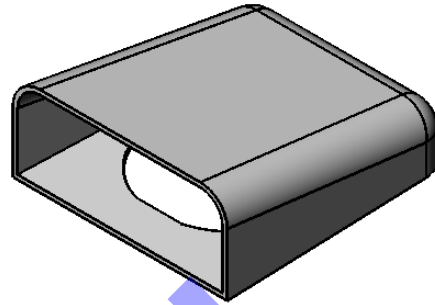
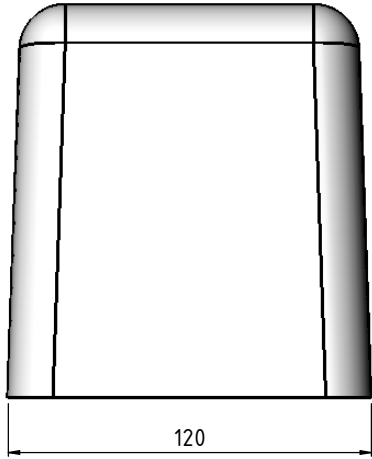


REVISION			
Rev.	Description	Date	Approval
-	-	-	-



Notes:

- Material: ABS, 奇美PA-707
UL94-HB @1.5mm, E56070
- Finish: Natural 天然
- Color: Cool gray 灰色
- Unless otherwise specified:
The tolerance is listed as follows:
X.X - 0.10mm
X.XX - 0.05mm
- Weight: 90 g

洋健企業
2022.02.12
工程

批准
2022.02.12
洋健企業

		DIMENSIONS ARE IN MILLIMETER		NAME	DATE	Model NO. SR-120B		
		TOLERANCES:		DRAWN	Neafa	08/08/20*		
		FRACTIONAL ±		CHECKED				
		ANGULAR: MACH ± BEND ±		ENG APPR.			Cord NO. HC-817	
		TWO PLACE DECIMAL ±		MFG APPR.			PART NO. AB-6017-0	
		THREE PLACE DECIMAL ±		Q.A.				
		MATERIAL		PART NAME				
		FINISH		Waterproof cover				
NEXT ASSY	USED ON			SOLON		SIZE	DWG. NO. AB-6017-0	REV. 0
APPLICATION		DO NOT SCALE DRAWING				SCALE:1:5	WEIGHT:	SHEET 1 OF 1

PROPRIETARY AND CONFIDENTIAL
THE INFORMATION CONTAINED IN THIS DRAWING IS THE SOLE PROPERTY OF SOLON ENTERPRISE CO., LTD. ANY REPRODUCTION IN PART OR AS A WHOLE WITHOUT THE WRITTEN PERMISSION OF SOLON ENTERPRISE CO., LTD. IS PROHIBITED.