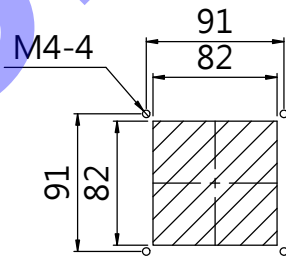
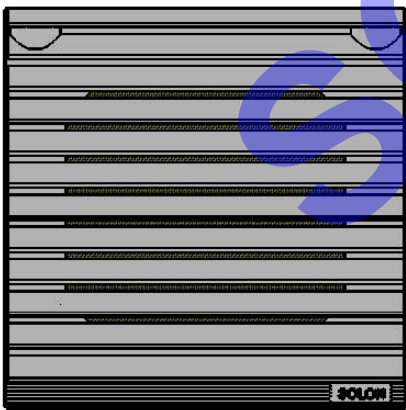
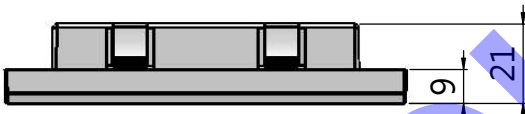
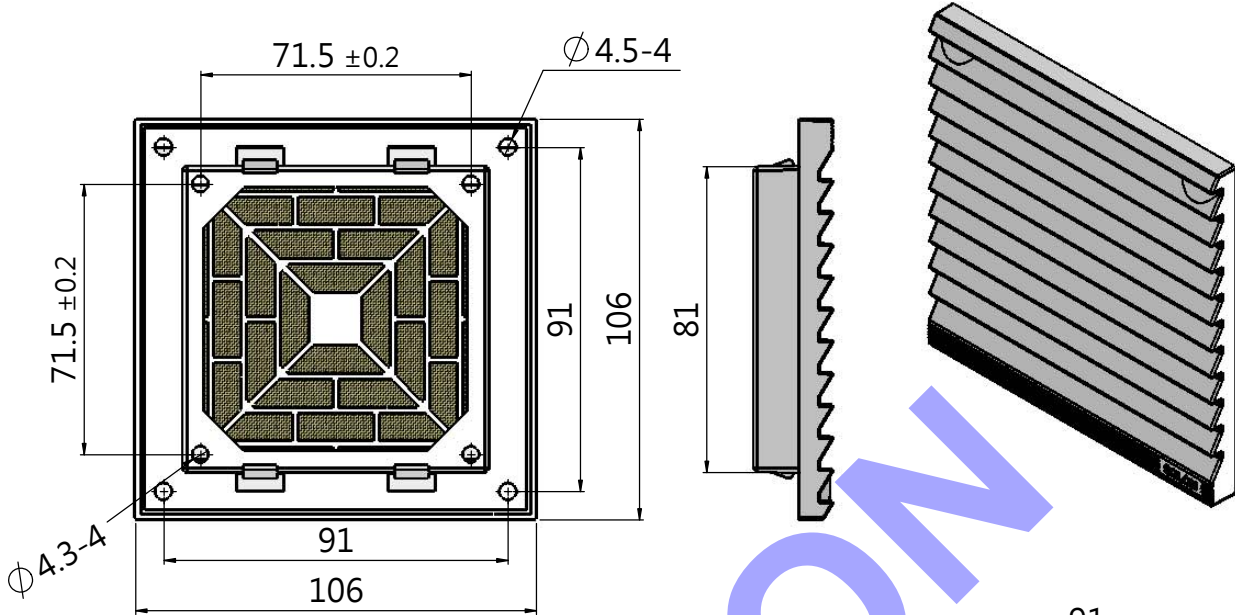


REVISION			
Rev.	Description	Date	Approval
-	-	-	-



Panel cutout  
開孔尺寸圖

Notes:

1. Installation 開孔尺寸(mm): 82x82 mm<sup>2</sup>
2. Effective wind rate 有效風量: 12 m<sup>3</sup>/min
3. Max. wind speed 最大風速: 2 m<sup>3</sup>/sec
4. Collection coefficient 集塵效率: 85% max.
5. Temperature range 使用溫度: -30 °C ~ +70 °C
6. Materials 材質: ABS resin, UL94-HB
7. Protection degree: IP-54防護等級
8. Apply to fan size 適用風扇尺寸: 80x80 mm<sup>2</sup>
9. Inner filter: Non-woven fabric 不織布

洋健企業  
2022.03.03  
工程部

批准  
2022.03.03  
洋健企業

		DIMENSIONS ARE IN MILLIMETER		NAME	DATE	Model NO.	
		TOLERANCES: FRACTIONAL ± ANGULAR: MACH ± BEND ± TWO PLACE DECIMAL ± THREE PLACE DECIMAL ±		DRAWN	Neafa	2013/6/21	SA-03
		MATERIAL		CHECKED			Card NO. HC-810
		FINISH		ENG APPR.			PART NO. AB-6010-0
NEXT ASSY	USED ON	DO NOT SCALE DRAWING		MFG APPR.			PART NAME
APPLICATION				Q.A.			Louvered Filter
				<b>SOLON</b>		SIZE	DWG. NO.
						A	AB-6010-0
						REV.	0
				SCALE:1:5		WEIGHT:	SHEET 1 OF 1

**PROPRIETARY AND CONFIDENTIAL**  
THE INFORMATION CONTAINED IN THIS DRAWING IS THE SOLE PROPERTY OF SOLON ENTERPRISE CO., LTD. ANY REPRODUCTION IN PART OR AS A WHOLE WITHOUT THE WRITTEN PERMISSION OF SOLON ENTERPRISE CO., LTD. IS PROHIBITED.