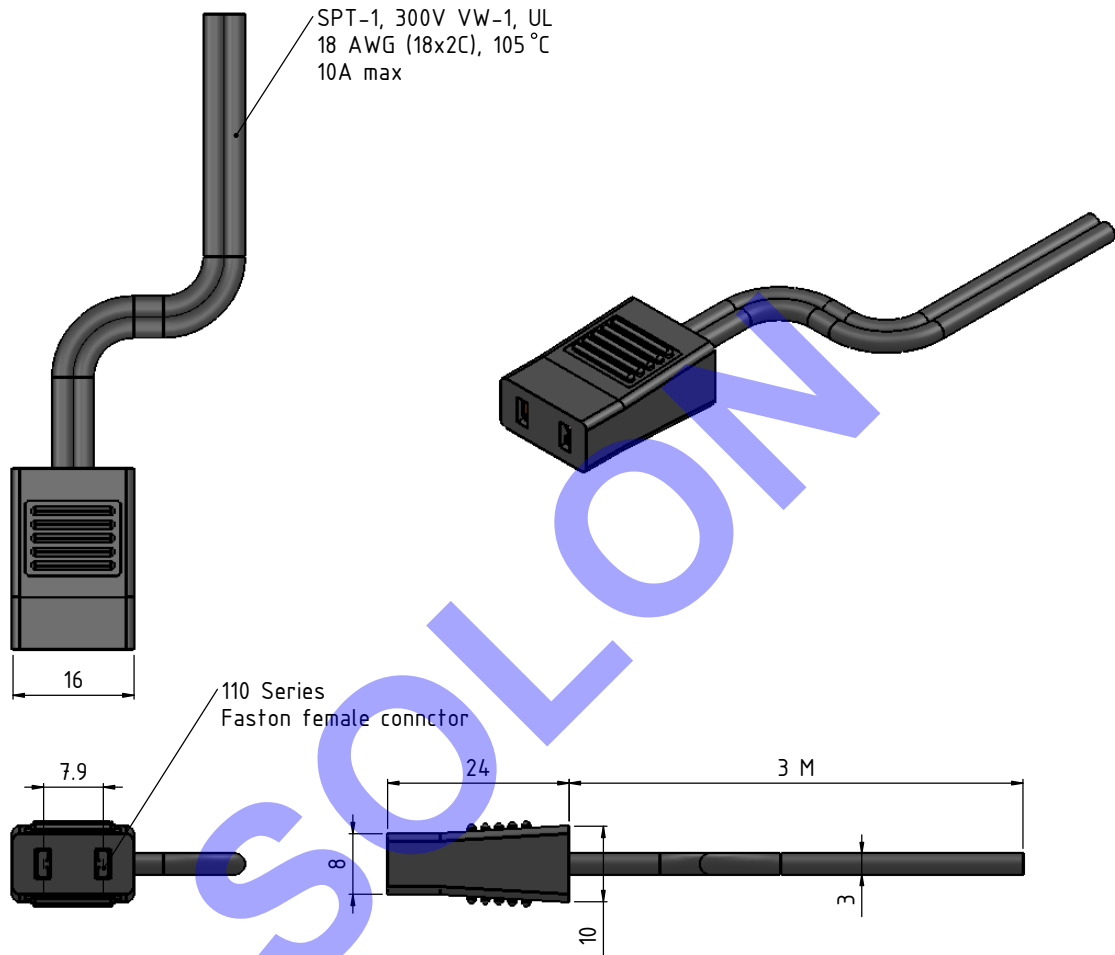


REVISION			
Rev.	Description	Date	Approval
-	-	-	-



Notes:

1. Material: PVC Resin Molding
2. Unless otherwise specified:
The tolerance is listed as follows:
X.X - $\pm 0.10\text{mm}$
X.XX - $\pm 0.05\text{mm}$



		DIMENSIONS ARE IN MILLIMETER		NAME	DATE	Model NO. PW-300A		
		TOLERANCES:		DRAWN	Neafa	2013/6/21		
		FRACTIONAL \pm		CHECKED				
		ANGULAR: MACH \pm BEND \pm		ENG APPR.			Card NO. HW-006	
		TWO PLACE DECIMAL \pm		MFG APPR.			PART NO. PW-2506-10	
		THREE PLACE DECIMAL \pm		Q.A.				
		MATERIAL		PART NAME				
		FINISH		Fan plug cord				
NEXT ASSY	USED ON			SOLOON		SIZE	DWG. NO. PW-2506-10	REV. 0
APPLICATION		DO NOT SCALE DRAWING				SCALE:1:5	WEIGHT:	SHEET 1 OF 1

PROPRIETARY AND CONFIDENTIAL
THE INFORMATION CONTAINED IN THIS DRAWING IS THE SOLE PROPERTY OF SOLON ENTERPRISE CO., LTD. ANY REPRODUCTION IN PART OR AS A WHOLE WITHOUT THE WRITTEN PERMISSION OF SOLON ENTERPRISE CO., LTD. IS PROHIBITED.