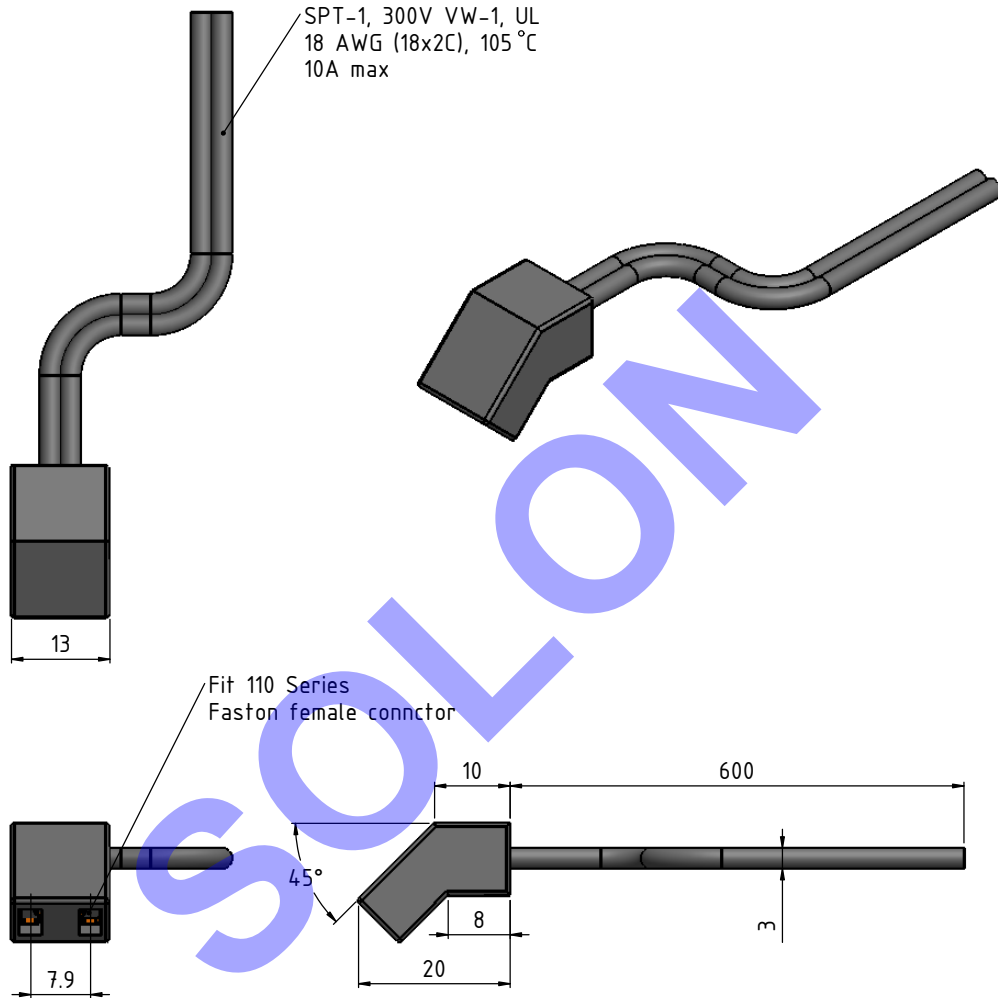


REVISION			
Rev.	Description	Date	Approval
-	-	-	-



Notes:

1. Material: PVC Resin Molding
2. Unless otherwise specified:
The tolerance is listed as follows:
X.X - $\pm 0.10\text{mm}$
X.XX - $\pm 0.05\text{mm}$



		DIMENSIONS ARE IN MILLIMETER		NAME	DATE	Model NO. PW-60B		
		TOLERANCES:		DRAWN	Neafa	2013/6/21		
		FRACTIONAL \pm		CHECKED			Card NO. HW-009	
		ANGULAR: MACH \pm BEND \pm		ENG APPR.			PART NO. HW-2509-10	
		TWO PLACE DECIMAL \pm		MFG APPR.				
		THREE PLACE DECIMAL \pm		Q.A.				
		MATERIAL		PART NAME				
		FINISH		Fan plug cord				
NEXT ASSY	USED ON	APPLICATION		SOLOON		SIZE	DWG. NO.	REV.
		DO NOT SCALE DRAWING				A	HW-2509-10	0
				SCALE:1:5	WEIGHT:	SHEET 1 OF 1		

PROPRIETARY AND CONFIDENTIAL
THE INFORMATION CONTAINED IN THIS DRAWING IS THE SOLE PROPERTY OF SOLON ENTERPRISE CO., LTD. ANY REPRODUCTION IN PART OR AS A WHOLE WITHOUT THE WRITTEN PERMISSION OF SOLON ENTERPRISE CO., LTD. IS PROHIBITED.