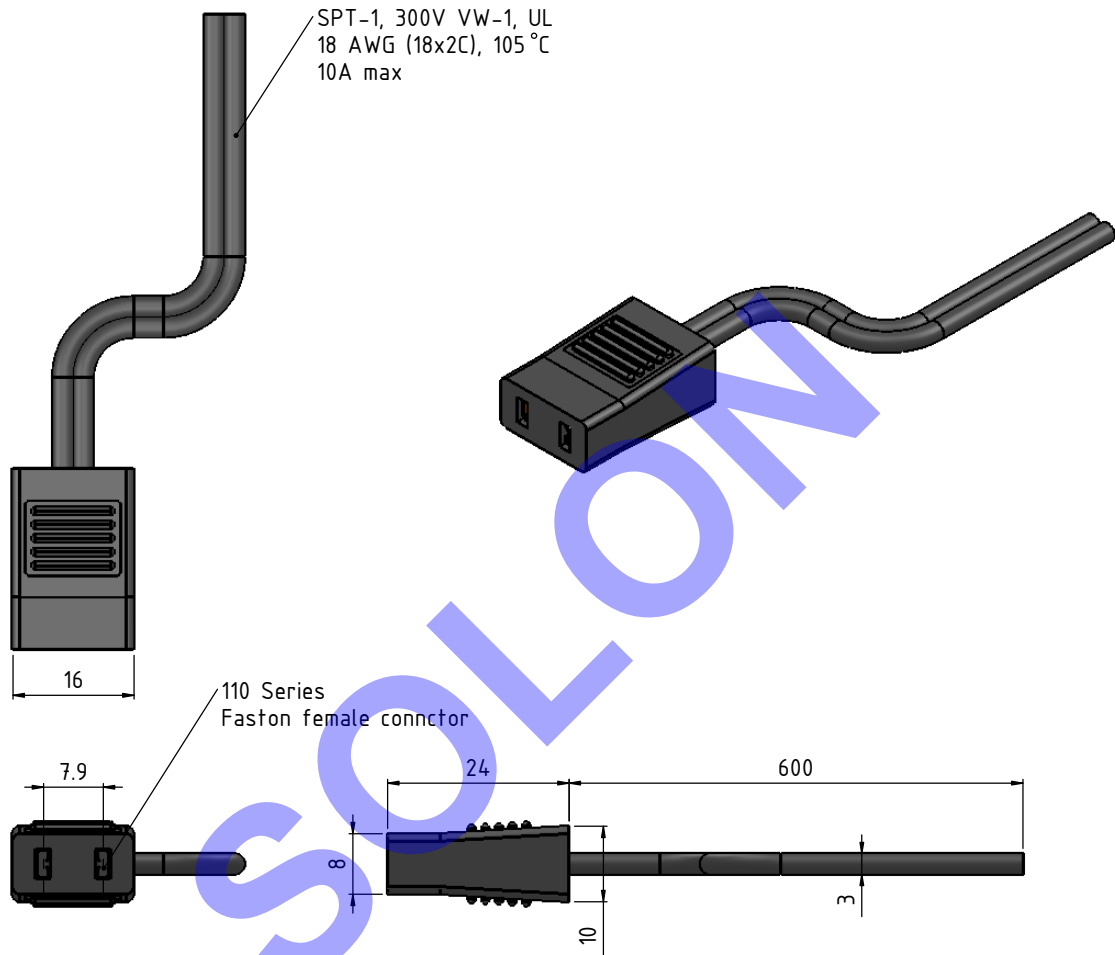


REVISION			
Rev.	Description	Date	Approval
-	-	-	-



Notes:

1. Material: PVC Resin Molding
2. Unless otherwise specified:  
The tolerance is listed as follows:  
X.X -  $\pm 0.10\text{mm}$   
X.XX -  $\pm 0.05\text{mm}$



		DIMENSIONS ARE IN MILLIMETER		NAME	DATE	Model NO. PW-60A		
		TOLERANCES:		DRAWN	Neafa	2013/6/21		
		FRACTIONAL $\pm$		CHECKED				
		ANGULAR: MACH $\pm$ BEND $\pm$		ENG APPR.			Card NO. HW-008	
		TWO PLACE DECIMAL $\pm$		MFG APPR.			PART NO. PW-2508-10	
		THREE PLACE DECIMAL $\pm$		Q.A.			PART NAME	
		MATERIAL		<b>SOLON</b>				Fan plug cord
		FINISH						
NEXT ASSY	USED ON			SIZE <b>A</b>		DWG. NO. PW-2508-10	REV. 0	
APPLICATION		DO NOT SCALE DRAWING		SCALE: 1:5		WEIGHT:	SHEET 1 OF 1	

**PROPRIETARY AND CONFIDENTIAL**  
THE INFORMATION CONTAINED IN THIS DRAWING IS THE SOLE PROPERTY OF SOLON ENTERPRISE CO., LTD. ANY REPRODUCTION IN PART OR AS A WHOLE WITHOUT THE WRITTEN PERMISSION OF SOLON ENTERPRISE CO., LTD. IS PROHIBITED.