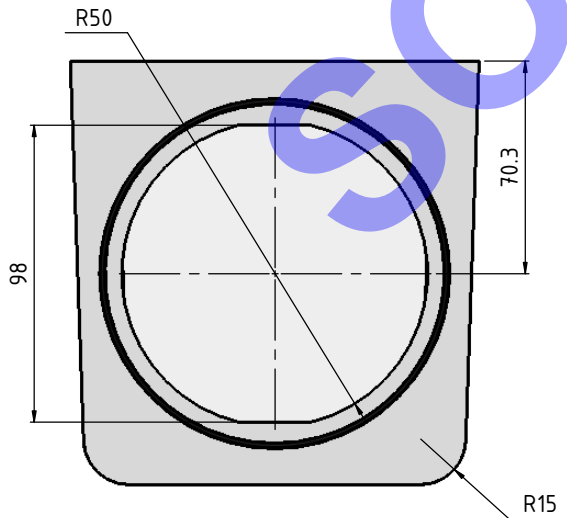
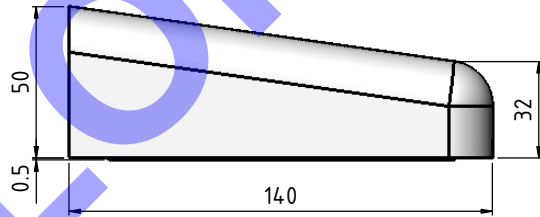
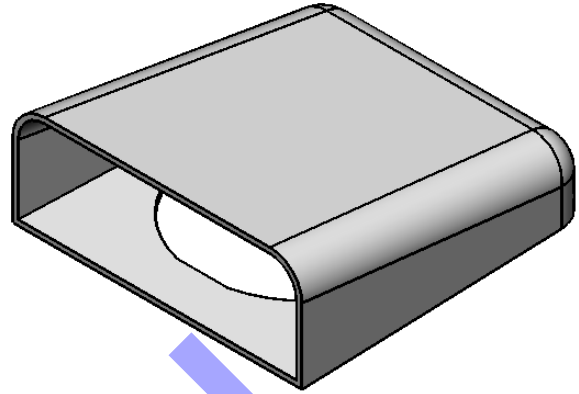
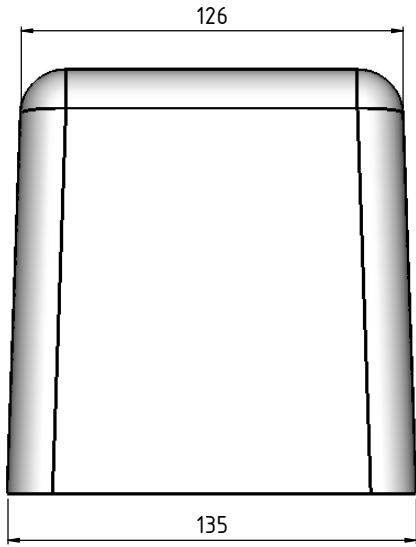


REVISION			
Rev.	Description	Date	Approval
-	-	-	-



Notes:

- Material: ABS, 奇美PA-707
UL94-HB @1.5mm, E56070
- Finish: Natural 天然
- Color: Cool gray 灰色
- Unless otherwise specified:
The tolerance is listed as follows:
X.X - $\pm 0.10\text{mm}$
X.XX - $\pm 0.05\text{mm}$
- Weight: 100 g



		DIMENSIONS ARE IN MILLIMETER		NAME	DATE	Model NO. SR-120B	
		TOLERANCES:		DRAWN	Neafa	2019/11/1	
		FRACTIONAL \pm		CHECKED			
		ANGULAR: MACH \pm BEND \pm		ENG APPR.			Card NO. HC-814 PART NO. AB-6014-0
		TWO PLACE DECIMAL \pm		MFG APPR.			
		THREE PLACE DECIMAL \pm		Q.A.			
		MATERIAL		PART NAME Waterproof cover			
		FINISH					
NEXT ASSY	USED ON			<div style="text-align: center; font-size: 2em; font-weight: bold;"> SOLON </div>			
APPLICATION		DO NOT SCALE DRAWING					
				SIZE	DWG. NO.	REV.	
				A	AB-6014-0	0	
				SCALE:1:5	WEIGHT:	SHEET 1 OF 1	

PROPRIETARY AND CONFIDENTIAL
THE INFORMATION CONTAINED IN THIS DRAWING IS THE SOLE PROPERTY OF SOLON ENTERPRISE CO., LTD. ANY REPRODUCTION IN PART OR AS A WHOLE WITHOUT THE WRITTEN PERMISSION OF SOLON ENTERPRISE CO., LTD. IS PROHIBITED.