

Characteristic 特性:

Frame 外框: Aluminum alloy 鋁合金
 Impeller 扇葉: SPCC 冷軋鋼板 or PBT Reinforced plastic 工程塑膠
 Lead wire 導線: UL 1007 22AWG
 Operating temperature 操作溫度: -10 °C to 70 °C
 Bearing 軸承: 2 Balls types 滾珠
 Operating voltage 操作電壓: 12, 24, or 48 VDC
 Expected life 期待壽命: 50,000 Hours
 IP Protection 防護: IP-54

Wiring connection of option 選配功能接線

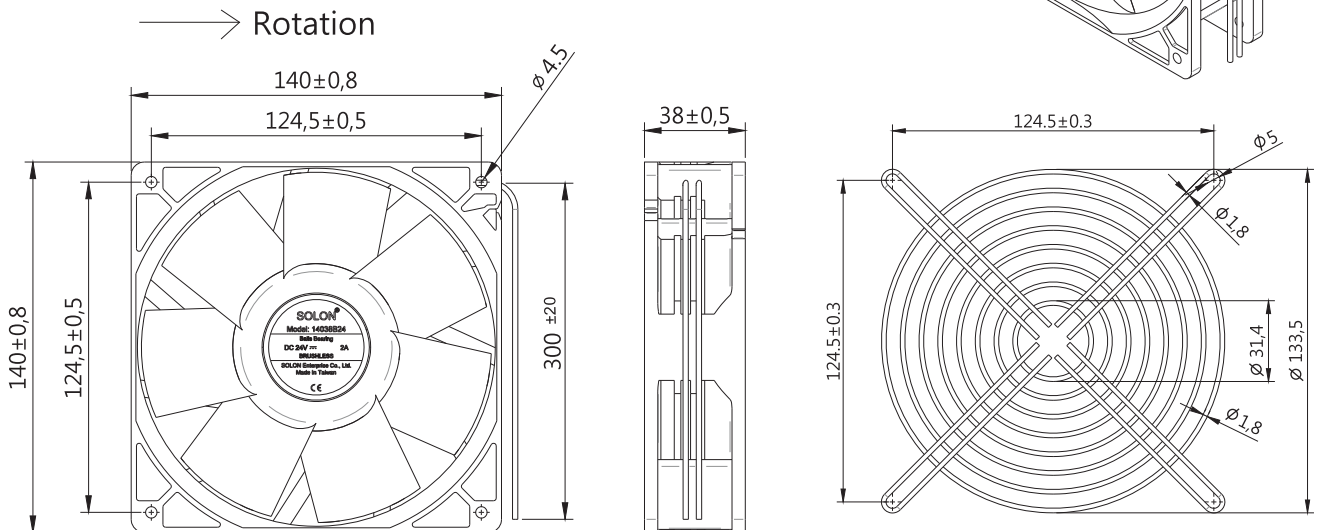
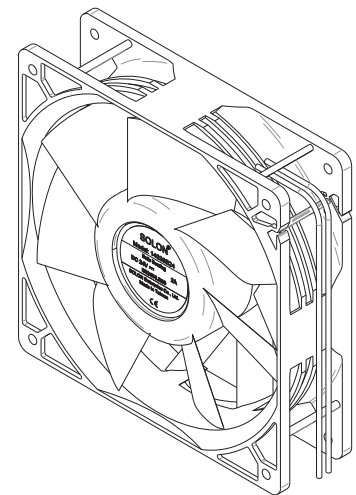
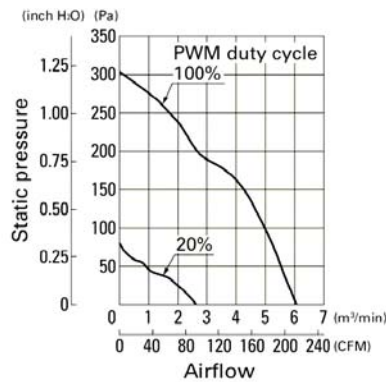
4 wires max. 最多4線

- Black** 黑 Ground 接地
- Red** 紅 Vcc 輸入電壓
- Yellow** 黃 FG Tach sign out 轉速信號輸出 (a)
- Blue** 藍 PWM 脈衝寬度調變-轉速控制 (b)
- White** 白 RD Lock motor alarm 風扇馬達停止警報 (c)

Specification 規格

140 x 140 x 38 mm

Aluminum Frame 鋁框
 Plastic Impeller 塑膠葉



Fan Guard
 SP-140A

140 x 140 x 38 mm

Model	2 Balls Bearing	Voltage VDC ± 10%	Operating Volt VDC	Max. Current A	Power Watt	Speed RPM	Noise dB	Airflow CFM	Static pressure mmH2O	Weight gram
14038B12-D	●	12	8~13.8	1.4	17	5200	62	212	30.4	700
14038B24-D	●	24	12~27	0.7	17	5200	62	212	30.4	700
14038B48-D	●	48	38~55	0.35	17	5200	62	212	30.4	700
14038B24-DR	●	24	12~27	0.7	17	5200	62	212	30.4	700

-R With RD (Rotate Detection) Alarm out 停轉警報 (White 白線)