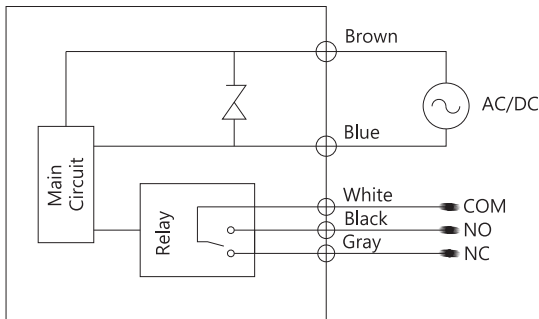


## Photoelectric Sensor 光電開關

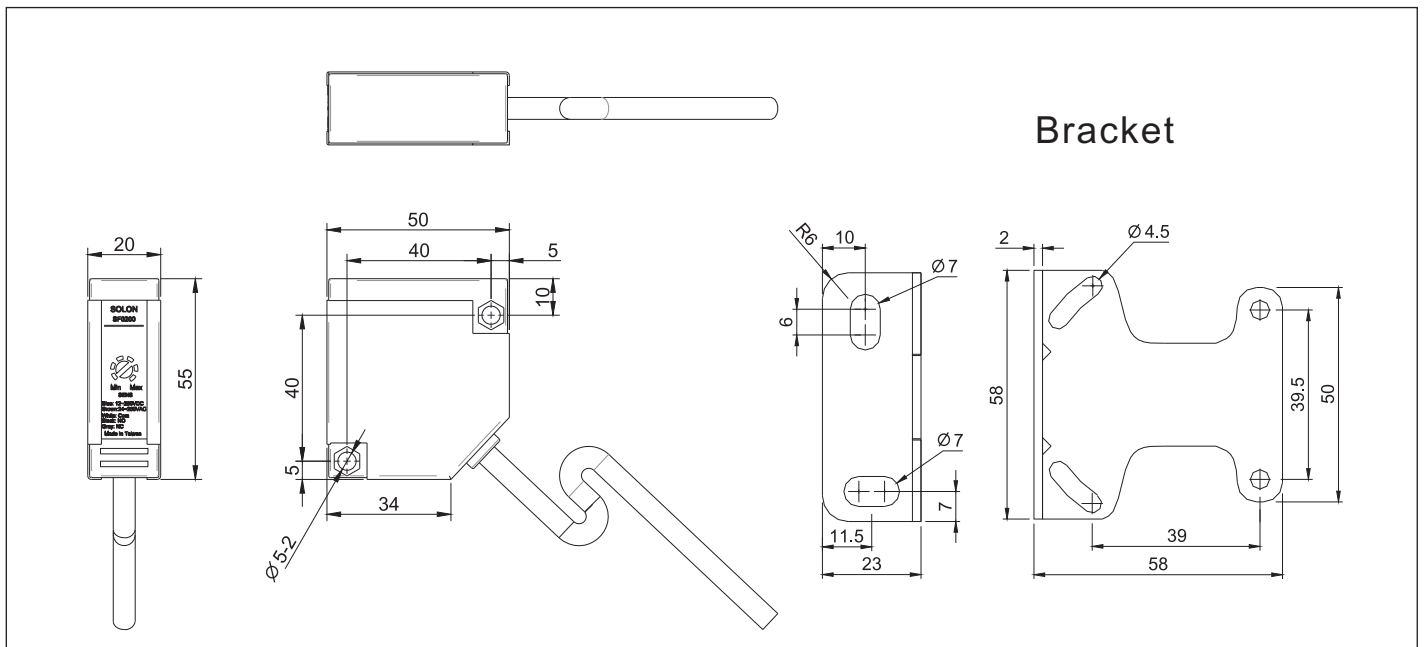
### Ordering information

### Wiring circuit



SF      
Nominal sensing distance  
cm

Feature:  
PBT Enclosure  
IP-66 Protection  
Surge suppressor  
High Capacity Relay output : 3A / 250V AC



| Part number                     | SF 0070   | SF0100  | SF0200  | SF0300  |
|---------------------------------|---|---|---|---|
| Detecting type 感測方式             | Diffuse (擴散型)   | Diffuse (擴散型)   | Diffuse (擴散型)   | Diffuse (擴散型)   |
| Nominal sensing distance 公稱感測距離 | 70 cm   | 100 cm  | 200 cm  | 300 cm  |
| Standard object 標準感測物           | white mat paper (白紙) 10x10mm                              | white mat paper (白紙) 10x10mm                              | white mat paper (白紙) 10x10mm                              | white mat paper (白紙) 10x10mm                              |
| Protection 防護                   | Short and Reverse polarity protection                     | Short and Reverse polarity protection                     | Short and Reverse polarity protection                     | Short and Reverse polarity protection                     |
| Hysteresis 遲滯                   | ± 15%   | ± 15%   | ± 15%   | ± 15%   |
| LED 指示燈                         | Red Output energized                                      | Red Output energized                                      | Red Output energized                                      | Red Output energized                                      |
| Operating voltage 使用電壓          | AC24-260V / DC12-260V                                     | AC24-260V / DC12-260V                                     | AC24-260V / DC12-260V                                     | AC24-260V / DC12-260V                                     |
| Load current 負載電流               | 30 Vdc/250 Vac 1A max.                                    | 30 Vdc/250 Vac 1A max.                                    | 30 Vdc/250 Vac 1A max.                                    | 30 Vdc/250 Vac 1A max.                                    |
| Switching frequency 感測頻率        | 60 Hz   | 60 Hz   | 60 Hz   | 60 Hz   |
| Repeatability 重複精度              | ± 10%   | ± 10%   | ± 10%   | ± 10%   |
| Ambient illuminance 環境照度        | Sunlight(太陽光): 10,000 Lux<br>Incandescent(白熱光): 5,000 Lux | Sunlight(太陽光): 10,000 Lux<br>Incandescent(白熱光): 5,000 Lux | Sunlight(太陽光): 10,000 Lux<br>Incandescent(白熱光): 5,000 Lux | Sunlight(太陽光): 10,000 Lux<br>Incandescent(白熱光): 5,000 Lux |
| Residual voltage 漏電壓            | 1V max.   | 1V max.   | 1V max.   | 1V max.   |
| Output type 輸出方式                | Relay 1A/250Vac, 30Vdc                                    | Relay 1A/250Vac, 30Vdc                                    | Relay 1A/250Vac, 30Vdc                                    | Relay 1A/250Vac, 30Vdc                                    |
| Current consumption 消耗電流        | 30mA max.   | 30mA max.   | 30mA max.   | 30mA max.   |
| Enclosure protection 外殼防護       | IP 66   | IP 66   | IP 66   | IP 66   |
| Operating temperature 使用溫度      | -25°C to 70°C   | -25°C to 70°C   | -25°C to 70°C   | -25°C to 70°C   |
| Materials of housing 外殼材質       | ABS resin   | ABS resin   | ABS resin   | ABS resin   |
| Connections 連接方式                | PVC Φ5-3C Oil-proof cable-2M                              | PVC Φ5-3C Oil-proof cable-2M                              | PVC Φ5-3C Oil-proof cable-2M                              | PVC Φ5-3C Oil-proof cable-2M                              |