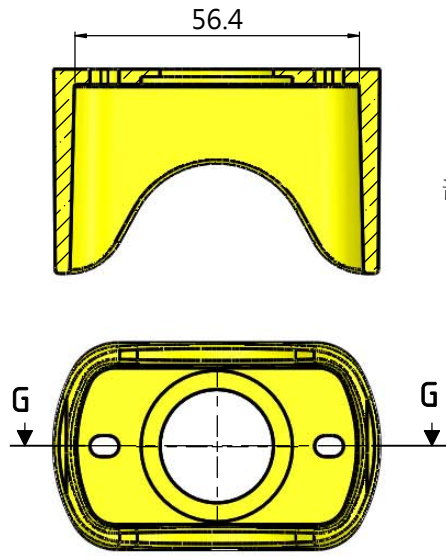
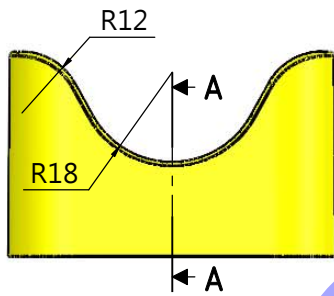
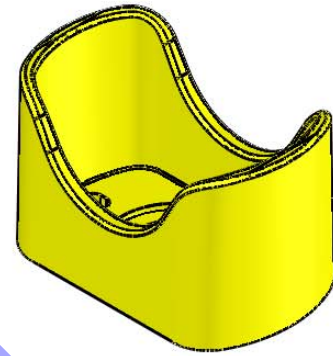


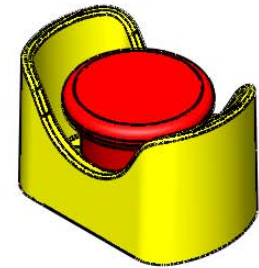
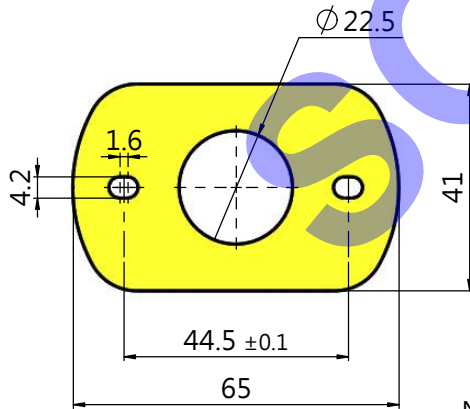
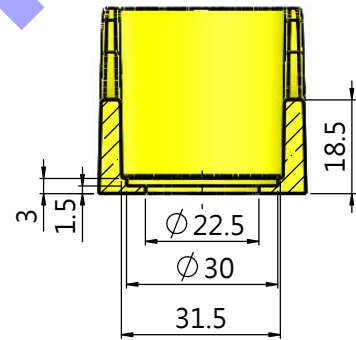
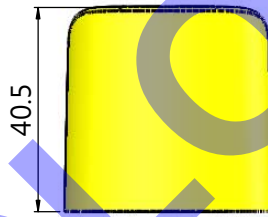
REVISION			
Rev.	Description	Date	Approval
-	-	-	-



剖面圖 G-G



剖面圖 A-A



- NOTES:
1. Material: ABS resin, Chi Mei PA-707.  
UL94-HB E56070
  2. Color: Yellow
  3. Unless otherwise specified.  
The tolerance is: x.x - 0.10mm  
x.xx - 0.05mm
  4. Weight: 27 g



		DIMENSIONS ARE IN MILLIMETER		NAME	DATE	Model NO. P22-EB80	
		TOLERANCES:		DRAWN	Neafa	2013/6/21	
		FRACTIONAL ±		CHECKED			
		ANGULAR: MACH ± BEND ±		ENG APPR.			Card NO. P22-004
		TWO PLACE DECIMAL ±		MFG APPR.			PART NO. PS-0164-10
		THREE PLACE DECIMAL ±		Q.A.			PART NAME
		MATERIAL		開關護罩			
NEXT ASSY	USED ON	FINISH		<b>SOLON</b>			
APPLICATION		DO NOT SCALE DRAWING					
				SIZE A	DWG. NO. PS-0164-10	REV. 0	
				SCALE: 1:5	WEIGHT:	SHEET 1 OF 1	

PROPRIETARY AND CONFIDENTIAL  
THE INFORMATION CONTAINED IN THIS DRAWING IS THE SOLE PROPERTY OF SOLON ENTERPRISE CO., LTD. ANY REPRODUCTION IN PART OR AS A WHOLE WITHOUT THE WRITTEN PERMISSION OF SOLON ENTERPRISE CO., LTD. IS PROHIBITED.