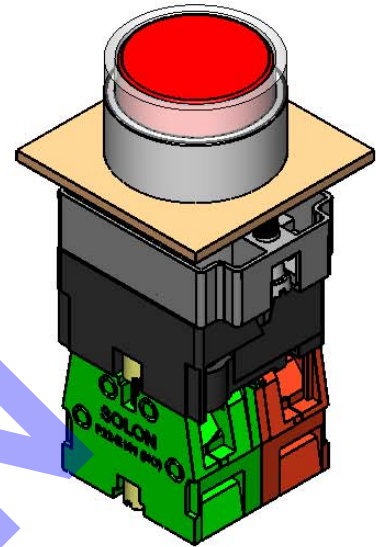
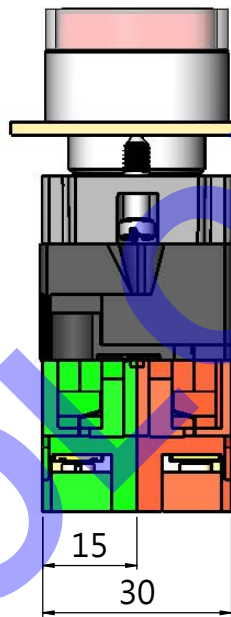
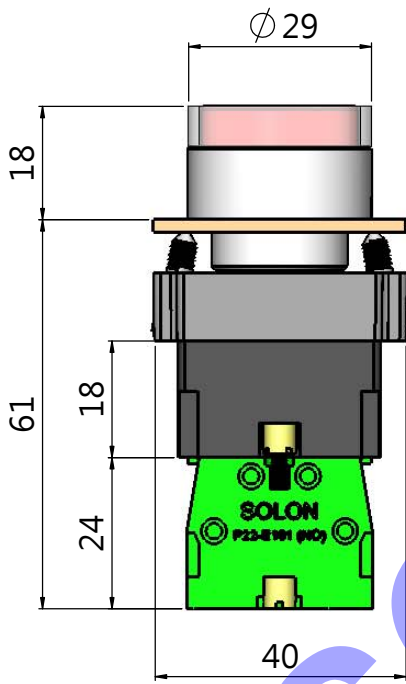
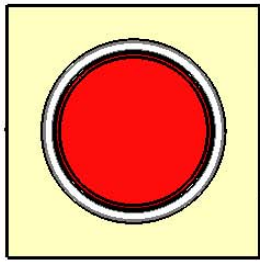
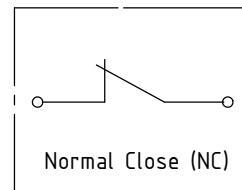
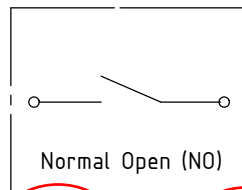


REVISION			
Rev.	Description	Date	Approval
-	-	-	-



Notes:
 Installation diameter: $\varnothing 22$
 Rating: AC-15 : A600 ($U_e = 240\text{ V}$, $I_e = 3\text{ A}$)
 DC-13: Q600 ($U_e = 250\text{ V}$, $I_e = 0.27\text{ A}$)
 Nominal thermal current: 10 A (IEC 60947-5-1)
 Rated current I_e : 3 A (AC-15)
 Rated voltage U_i : 600 V (IEC 60947-4-1)
 Withstand voltage U_{imp} : 6 KV (IEC 60947-4-1)
 Contact type: Slow break
 Terminal type: CENELEC EN 50013
 Frequency : 60 operations/min.
 Protection degree: IP-65
 Operating temperature: $- 25^{\circ}\text{C} \sim +70^{\circ}\text{C}$
 Storage temperature: $- 40^{\circ}\text{C} \sim +70^{\circ}\text{C}$
 Mechanical life: 1,000,000 operations



洋健企業
2022.03.01
工程 部

批准
2022.03.01
洋健企業

		DIMENSIONS ARE IN MILLIMETER		NAME	DATE	Model NO. P22-BW3465	
		TOLERANCES: FRACTIONAL \pm ANGULAR: MACH \pm BEND \pm TWO PLACE DECIMAL \pm THREE PLACE DECIMAL \pm		DRAWN	Neafa	2013/7/31	
		MATERIAL		CHECKED			Card NO. P22-757
		FINISH		ENG APPR.			PART NO. AA-9057-0
NEXT ASSY		USED ON		MFG APPR.			PART NAME
APPLICATION		DO NOT SCALE DRAWING		Q.A.			Flush Button with LED lamp Button Switch
				SOLO		SIZE A	DWG. NO. AA-9057-0
						SCALE:1:5	WEIGHT:
						SHEET 1 OF 1	

PROPRIETARY AND CONFIDENTIAL
 THE INFORMATION CONTAINED IN THIS DRAWING IS THE SOLE PROPERTY OF SOLON ENTERPRISE CO., LTD. ANY REPRODUCTION IN PART OR AS A WHOLE WITHOUT THE WRITTEN PERMISSION OF SOLON ENTERPRISE CO., LTD. IS PROHIBITED.