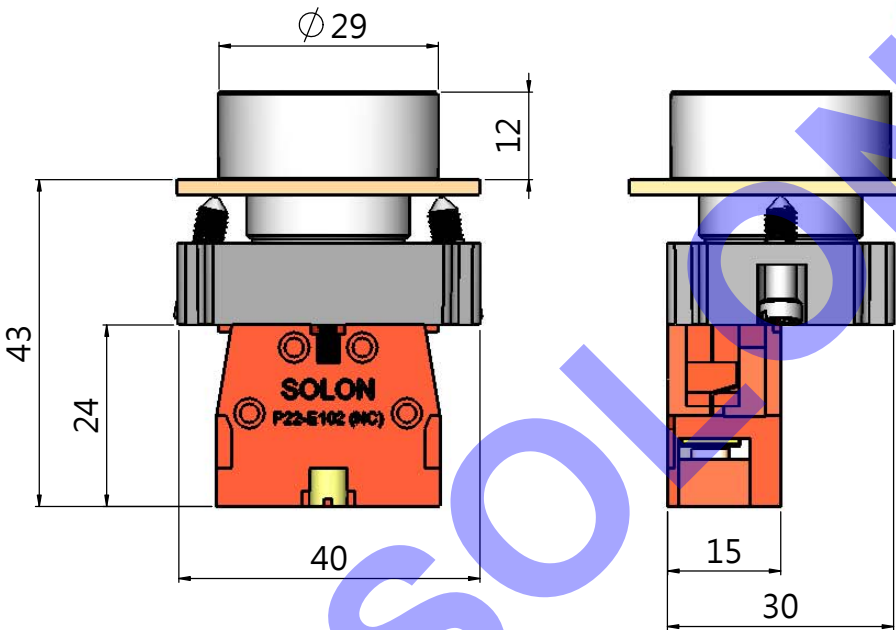
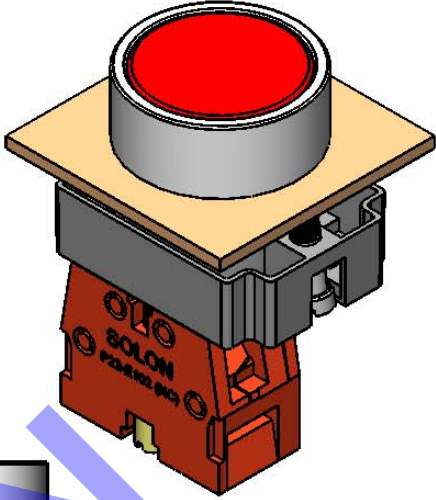
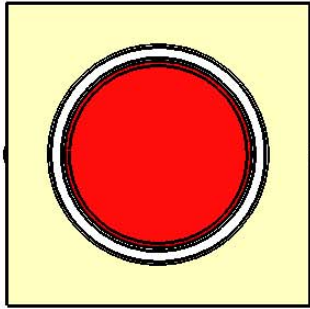
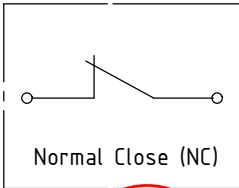


REVISION			
Rev.	Description	Date	Approval
-	-	-	-



Notes:
 Installation diameter: $\varnothing 22$
 Rating: AC-15 : A600 (Ue = 240 V , Ie = 3 A)
 DC-13: Q600 (Ue = 250 V , Ie = 0.27 A)
 Nominal thermal current: 10 A (IEC 60947-5-1)
 Rated current Ie : 3 A (AC-15)
 Rated voltage Ui : 600 V (IEC 60947-4-1)
 Withstand voltage Uimp: 6 KV (IEC 60947-4-1)
 Contact type: Slow break
 Terminal type: CENELEC EN 50013
 Frequency : 60 operations/min.
 Protection degree: IP-65
 Operating temperature: - 25°C ~ +70°C
 Storage temperature: - 40°C ~ +70°C
 Mechanical life: 3,000,000 operations



洋健企業
2022.02.27
工程部

批准
2022.02.27
洋健企業

		DIMENSIONS ARE IN MILLIMETER		NAME	DATE	Model NO. P22-BA42		
		TOLERANCES: FRACTIONAL ±		DRAWN	Neafa	2013/7/31		
		ANGULAR: MACH ± BEND ±		CHECKED			Card NO. P22-717	
		TWO PLACE DECIMAL ±		ENG APPR.			PART NO. AA-9017-0	
		THREE PLACE DECIMAL ±		MFG APPR.			PART NAME Flush Button Switch	
		MATERIAL		Q.A.			SIZE A DWG. NO. AA-9017-0	
		FINISH		SOLON		REV. 0		
NEXT ASSY	USED ON	APPLICATION				SCALE:1:5		WEIGHT:
		DO NOT SCALE DRAWING						

PROPRIETARY AND CONFIDENTIAL
 THE INFORMATION CONTAINED IN THIS DRAWING IS THE SOLE PROPERTY OF SOLON ENTERPRISE CO., LTD. ANY REPRODUCTION IN PART OR AS A WHOLE WITHOUT THE WRITTEN PERMISSION OF SOLON ENTERPRISE CO., LTD. IS PROHIBITED.