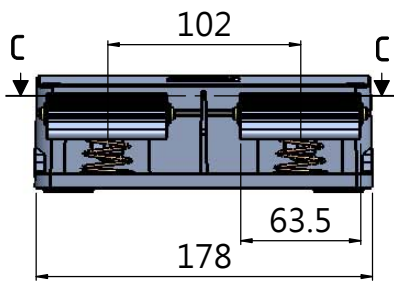
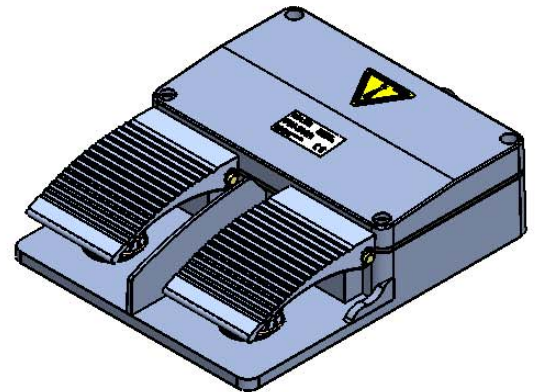
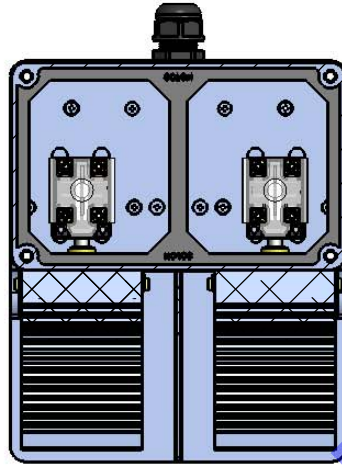
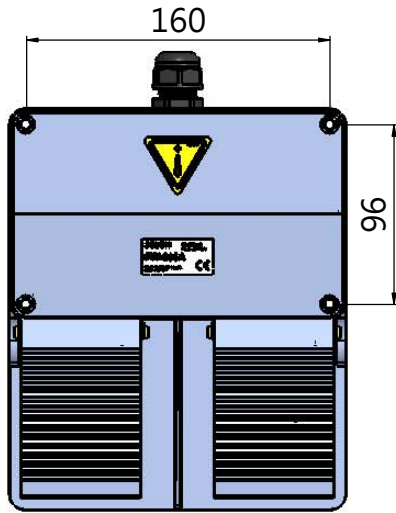
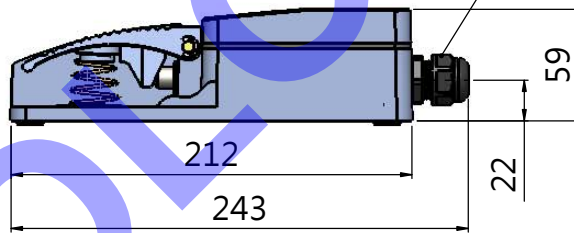


REVISION

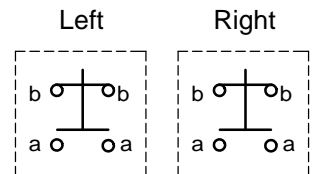
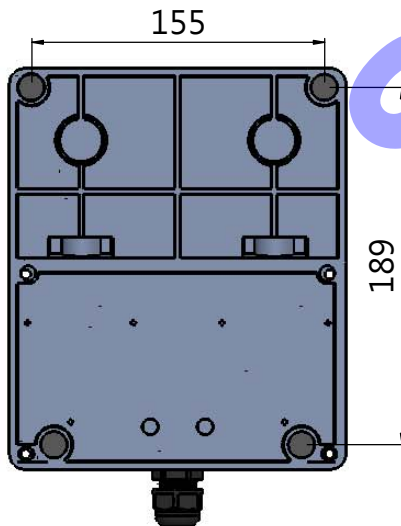
Rev.	Description	Date	Approval
-	-	-	-



剖面圖 C-C



PF1/2  
Cable grand



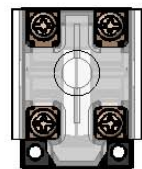
Schematic

Notes:

- Materials: Cover- Aluminum die-casting Alloy  
Chassis- Aluminum die-casting Alloy  
Pedal-Aluminum die-casting Alloy
- Protection Level: IP-54 (IEC 529)
- Switch Insert: Push Button Switch  
Electrical Rating: 6A, 250V AC  
Contact Type: 1a1b x 2
- Temperature: -10°C ~ +80°C
- Actuating force: 4 Kgf max
- Net weight: 1,3 kg
- Applicable cable:  $\varnothing 8-11$

洋健企業  
2022.04.18  
工程部

批准  
2022.04.18  
洋健企業



		DIMENSIONS ARE IN MILLIMETER		NAME	DATE	Model NO. FW-205A	
		TOLERANCES: FRACTIONAL ± ANGULAR: MACH ± BEND ± TWO PLACE DECIMAL ± THREE PLACE DECIMAL ±		DRAWN	Neafa	2013/6/21	
		MATERIAL		CHECKED			Card NO. FT-840
		FINISH		ENG APPR.			PART NO. AA-2038-0
NEXT ASSY	USED ON			MFG APPR.			PART NAME
APPLICATION		DO NOT SCALE DRAWING		Q.A.			FOOT SWITCH
				<b>SOLON</b>		SIZE	DWG. NO. AA-2038-0
						SCALE:1:5	WEIGHT:
						SHEET 1 OF 1	

**PROPRIETARY AND CONFIDENTIAL**  
THE INFORMATION CONTAINED IN THIS DRAWING IS THE SOLE PROPERTY OF SOLON ENTERPRISE CO., LTD. ANY REPRODUCTION IN PART OR AS A WHOLE WITHOUT THE WRITTEN PERMISSION OF SOLON ENTERPRISE CO., LTD. IS PROHIBITED.