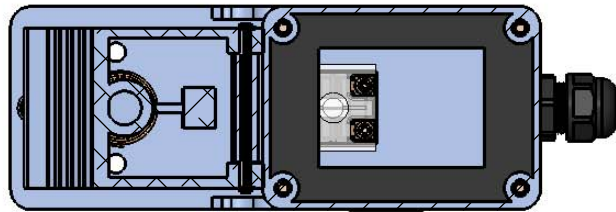
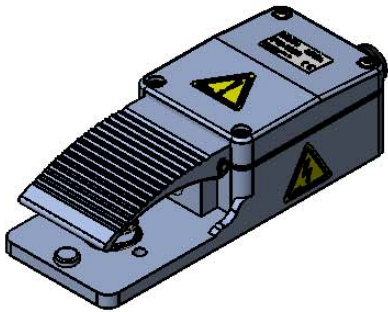
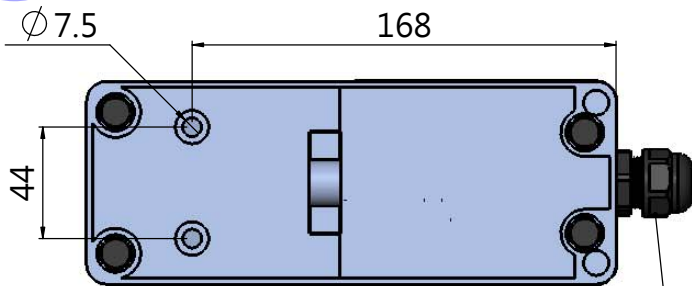
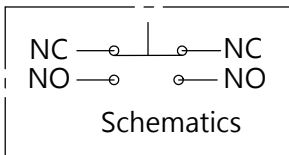
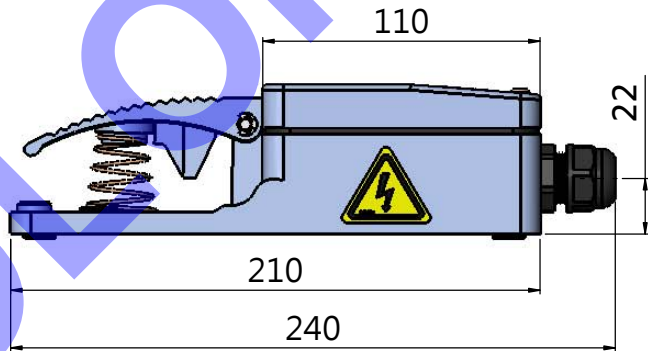
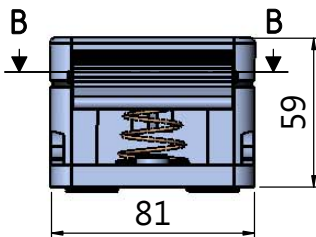
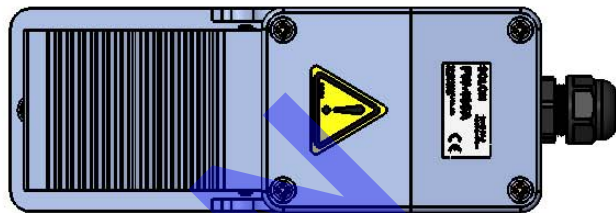
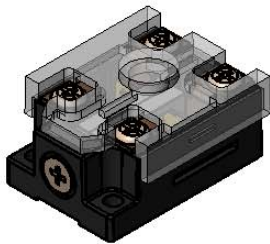


REVISION			
Rev.	Description	Date	Approval
-	-	-	-



剖面圖 B-B



PF 1/2  
Cable grand

Notes:

- Materials: Cover- ADC-10, Aluminum alloy  
Chassis- ADC-10, Aluminum alloy
- Protection Level: IP-54 (IEC 529)
- Switch Insert: Pushbutton Switch  
Electrical Rating: 6A, 250V AC  
Contact Type: 1a1b
- Temperature: -20°C up to +80°C
- Actuating force: 1,800±50 gf.
- Net weight: 650 g



		DIMENSIONS ARE IN MILLIMETER		NAME	DATE	Model NO. FW-105A		
		TOLERANCES:		DRAWN	Neafa	2013/6/21		
		FRACTIONAL ±		CHECKED				
		ANGULAR: MACH ± BEND ±		ENG APPR.			Card NO. FT-838	
		TWO PLACE DECIMAL ±		MFG APPR.			PART NO. AA-2036-0	
		THREE PLACE DECIMAL ±		Q.A.			PART NAME	
		MATERIAL		<b>SOLON</b>				Foot Switch
NEXT ASSY	USED ON	FINISH						SIZE A
APPLICATION		DO NOT SCALE DRAWING		SCALE:1:5	WEIGHT:	SHEET 1 OF 1		

**PROPRIETARY AND CONFIDENTIAL**  
 THE INFORMATION CONTAINED IN THIS DRAWING IS THE SOLE PROPERTY OF SOLON ENTERPRISE CO., LTD. ANY REPRODUCTION IN PART OR AS A WHOLE WITHOUT THE WRITTEN PERMISSION OF SOLON ENTERPRISE CO., LTD. IS PROHIBITED.