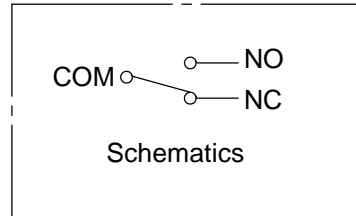
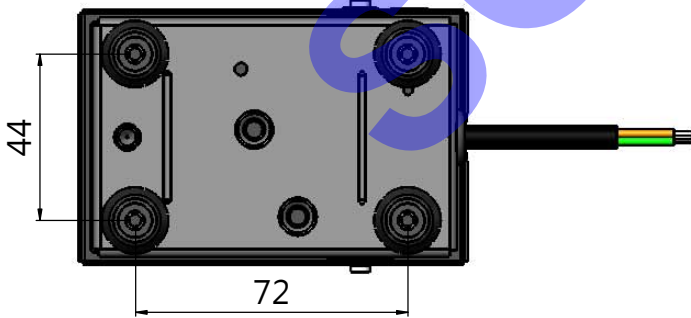
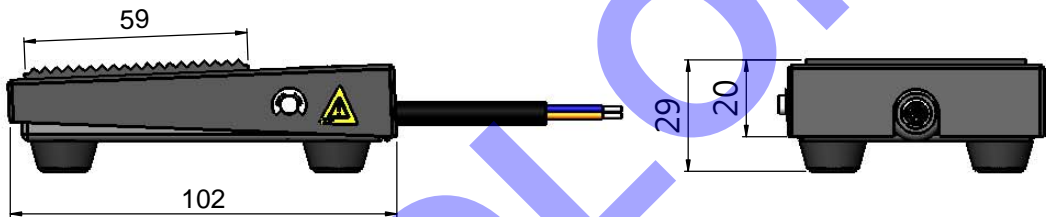
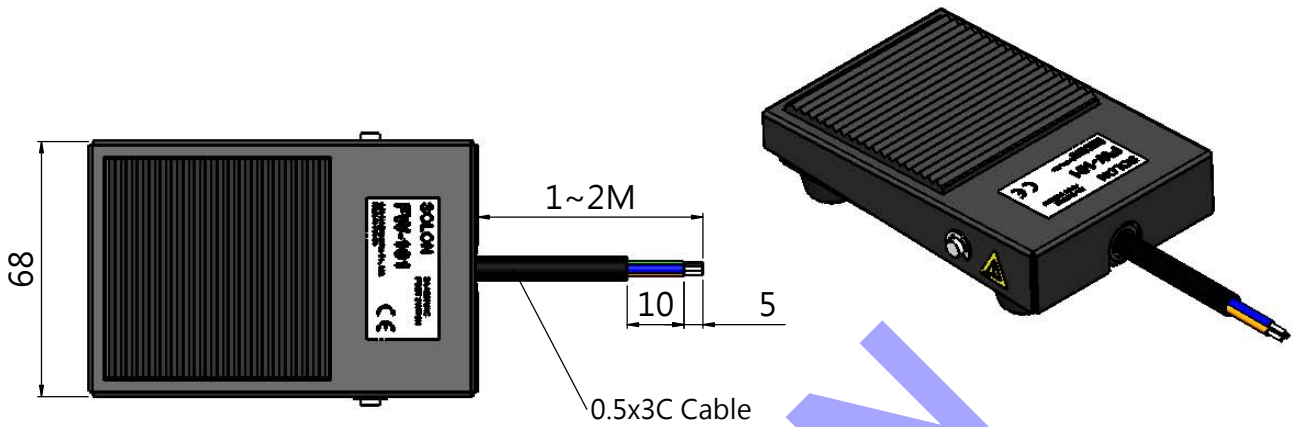


REVISION			
Rev.	Description	Date	Approval
-	-	-	-



Notes:

- Materials: Cover- SPCC, Black enamelled  
Chassis- SPCC, Black enamelled
- Protection Level: IP-30 (IEC 529)
- Switch Insert: Snap action microswitch  
Electrical Rating: 10A, 125/250V AC  
Contact Type: 1C
- Temperature: -20°C up to +80°C
- Actuating force: 400±50 gf.
- Net weight: 260 g

洋健企業 批准  
2022.04.16 2022.04.16  
工程部 洋健企業

		DIMENSIONS ARE IN MILLIMETER		NAME	DATE	Model NO. FW-101	
		TOLERANCES:		DRAWN	Neafa	2013/6/21	
		FRACTIONAL ±		CHECKED			
		ANGULAR: MACH ± BEND ±		ENG APPR.			Card NO. FT-820
		TWO PLACE DECIMAL ±		MFG APPR.			PART NO. AA-2019-0
		THREE PLACE DECIMAL ±		Q.A.			
		MATERIAL		PART NAME			
		FINISH		Foot Switch			
NEXT ASSY	USED ON			<b>SOLON</b>		SIZE	DWG. NO. AA-2019-0
APPLICATION		DO NOT SCALE DRAWING				A	REV. 0
				SCALE:1:5	WEIGHT:	SHEET 1 OF 1	

**PROPRIETARY AND CONFIDENTIAL**  
THE INFORMATION CONTAINED IN THIS DRAWING IS THE SOLE PROPERTY OF SOLON ENTERPRISE CO., LTD. ANY REPRODUCTION IN PART OR AS A WHOLE WITHOUT THE WRITTEN PERMISSION OF SOLON ENTERPRISE CO., LTD. IS PROHIBITED.