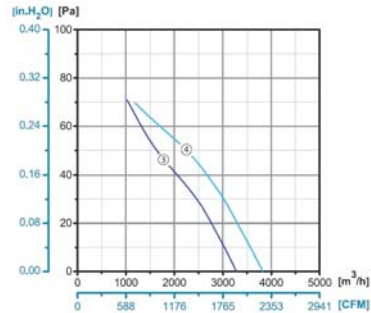


Characteristic: 特色

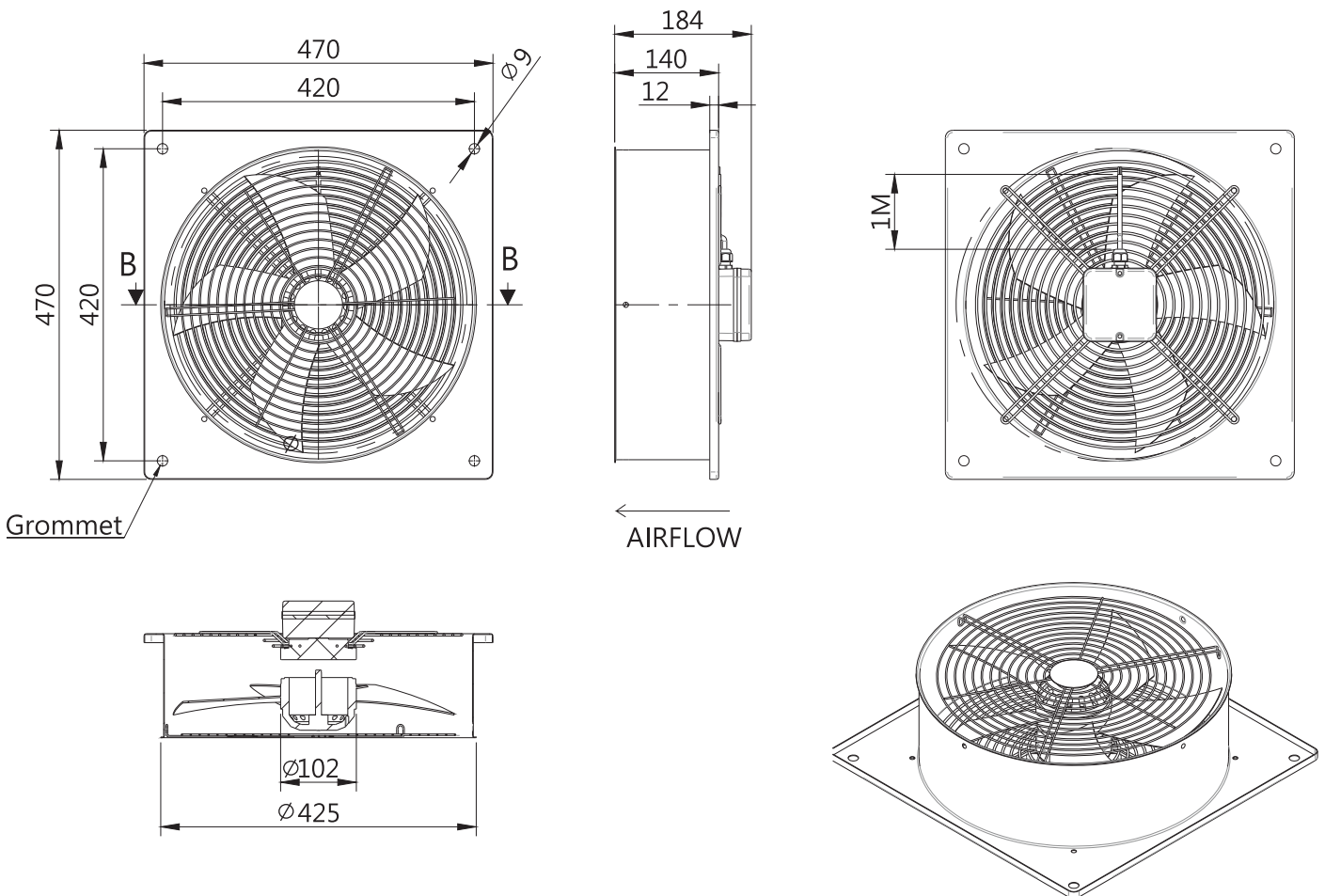
Frame 外殼 : Aluminum alloy 鋁合金
 Impeller 扇葉 : SPCC enamelled 冷軋鍍鋅板烤漆
 Lead wire 導線 : UL 2517
 Insulation 絕緣強度: 100MΩ @ 500V /minute
 Operating temperature 使用溫度 : -30 to +60 °C
 Dielectric strength 耐電壓 : 1,500 VAC @ 1minute
 Bearing 軸承 : Ball type 滾珠
 Output wiring box is available 輸出配線盒
 Wiring Insulation 繞線絕緣等級: B/F Class (IEC 60085 @130/155°C)
 Type of Protection: IP-44



Specification 規格

DIMENSIONS

400mm



Model	Phase	Poles	Voltage VAC ± 10%	Frequency Hz	Current A	Power Watt max.	Speed RPM	Noise dBA	Airflow CFM	Capacitance uF/ VAC
400F220E4	1Φ	4 P	220	50/60	0.9/1.1	200/212	1360/1480	60/62	1883/2012	6/450
400F220E6	1Φ	6 P	220	50/60	0.46/0.52	95/105	925/1120	50/52	1236/1385	4/450
400F380T4	3Φ	4 P	380	50/60	0.48/0.55	200/212	1380/1510	60/62	1912/2024	-
400F380T6	3Φ	6 P	380	50/60	0.25/0.31	85/92	930/1030	50/52	1294/1410	-

1 ft3/min(CFM)= 1.6989 m3/hr (CMH)