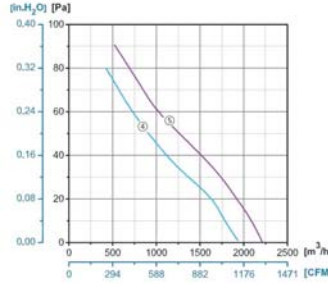


### Characteristic: 特色

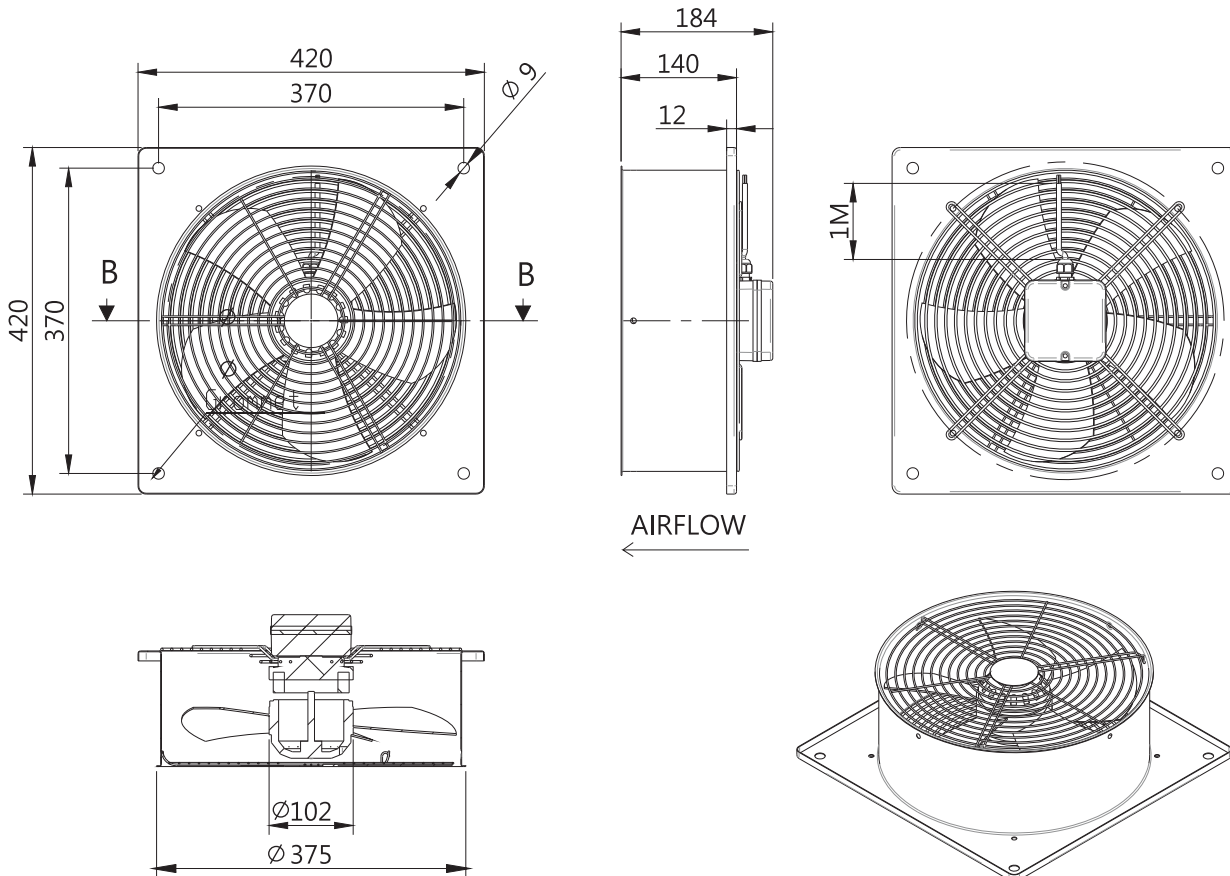
Frame 外殼 : Aluminum alloy 鋁合金  
 Impeller 扇葉 : SPCC enamelled 冷軋鍍鋅板烤漆  
 Lead wire 導線 : UL 2517  
 Insulation 絕緣強度 : 100MΩ @ 500V /minute  
 Operating temperature 使用溫度 : -30 to +60 °C  
 Dielectric strength 耐電壓 : 1,500 VAC @ 1minute  
 Bearing 軸承 : Ball type 滾珠  
 Output wiring box is available 輸出配線盒  
 Wiring Insulation 繞線絕緣等級 : B/F Class (IEC 60085 @130/155°C)  
 Type of Protection: IP-44



### Specification 規格

#### DIMENSIONS

# 350mm



Model	Phase	Poles	Voltage VAC ± 10%	Frequency Hz	Current A	Power Watt max.	Speed RPM	Noise dBA	Airflow CFM	Capacitance uF/ VAC
350F220E2	1Φ	2 P	220	50/60	1.68/1.9	360/400	2350/2550	82/84	2048/2142	12/450
350F220E4	1Φ	4 P	220	50/60	0.8/0.85	125/146	1400/1650	56/58	1412/1610	5/450
350F380T4	3Φ	4 P	380	50/60	0.33/0.41	125/134	1380/1450	56/58	1442/1580	-
350F380T6	3Φ	6 P	380	50/60	0.4/0.45	105/112	940/1050	46/48	988/1080	-

1 ft3/min(CFM)= 1.6989 m3/hr (CMH)