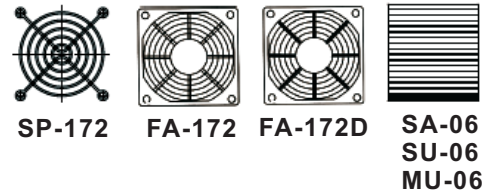


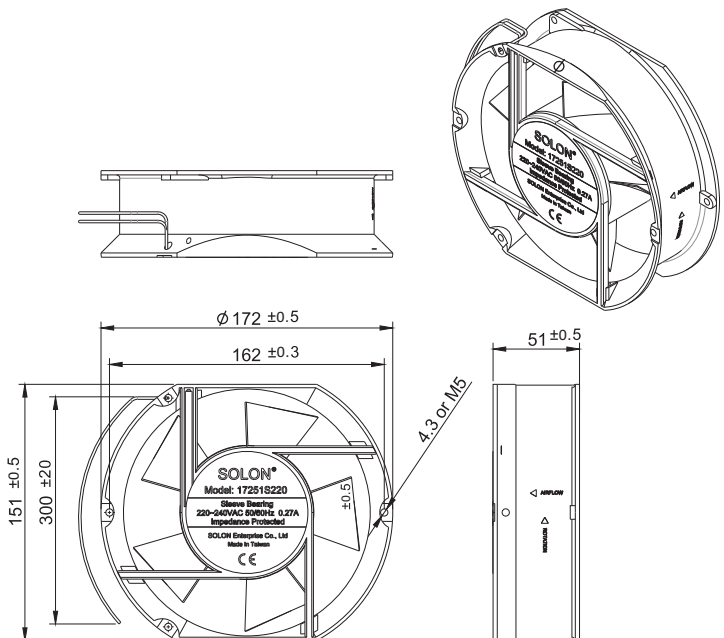
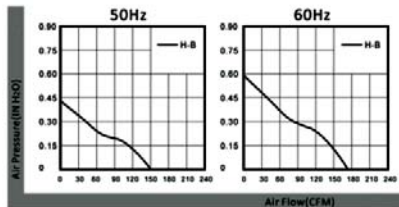
Characteristic: 特色

Frame 外殼: Aluminum alloy 鋁合金
 Impeller 扇葉: UL 94V-0, PBT Reinforced plastic 防火纖維塑膠
 Lead wire 導線: UL1015 20 AWG, Length: 長度 30 cm
 Insulation 絕緣等級: B class @130 °C
 Operating temperature 使用溫度: -10 to +80 °C
 Bearing 軸承: 2 Balls types 雙滾珠軸承
 Motor 馬達: Capacitor induction motor 電容感應馬達

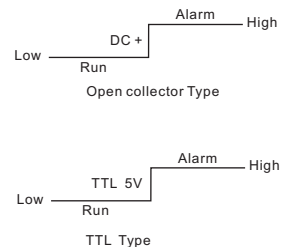
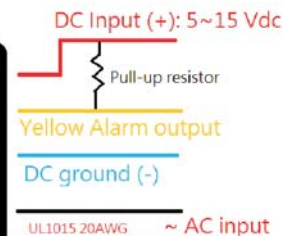


Specification 規格

172x150x51mm (6") With Alarm 附低速警報



DC Input: 5~15 Vdc
 Signal output: Ic -20 mA
 Vcc-28 mA
 Alarm active: Under Max fan speed 60%
 Logic Level: Low-Pass
 High-Fail
 (Standard Open collector type)
 Use for: Fan abnormal speed alarm
 Motor slowing down
 Open collector (default) or TTL available



Model	Dual Balls Bearing	Voltage VAC ± 10%	Frequency Hz	Current A	Power Watt max.	Speed RPM	Noise dB	Airflow CFM	Static pressure mmH ₂ O	Weight gram
17251B110-A	●	115	50/60	0.5/0.44	37/34	2600/3000	49/56	170/196	11.5/14.0	880
17251B220-A	●	230	50/60	0.26/0.22	37/33	2600/3000	49/56	170/196	11.5/14.0	880

1 inH₂O = 25.4 mmH₂O