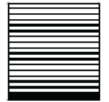


Characteristic: 特色

Frame 外殼: Aluminum alloy 鋁合金
 Impeller 扇葉: UL 94V-0, PBT Reinforced plastic 防火纖維塑膠
 Lead wire 導線: UL1007 22 AWG, Length: 長度 30 cm
 Insulation 絕緣等級: B class @130 °C
 Operating temperature 使用溫度: -10 to +80 °C
 Bearing 軸承: 2 Balls types 雙滾珠軸承
 Motor 馬達: Capacitor induction Motor 電容感應馬達
 Protection 防護: Thermally protected, auto cut-off, auto reset 溫度保護, 自動重啟動, 自動切斷
 Input option 選用: suffix-P (Terminal type 端子)



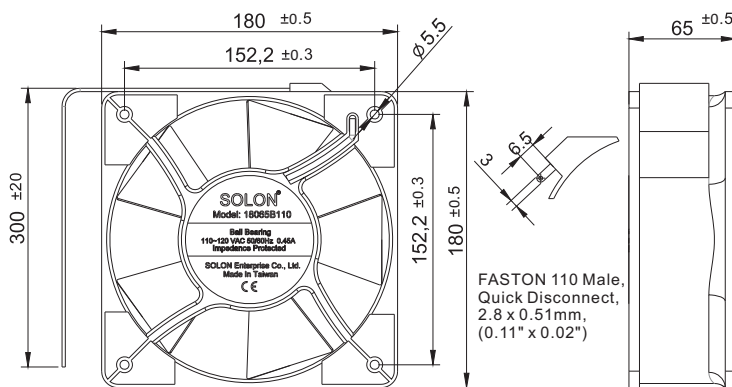
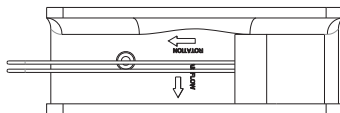
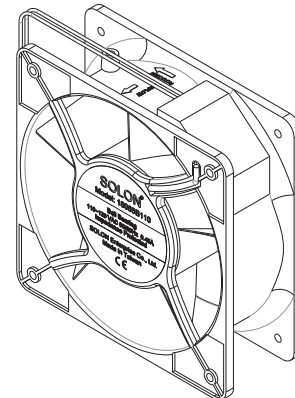
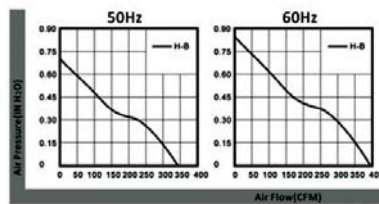
SP-180



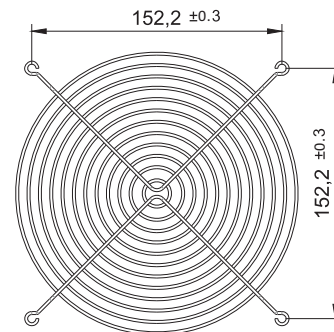
SA-08A

Specification 規格

180x180x65mm (7")



Fan Guard



Model	Dual Balls Bearing	Voltage VAC ±10%	Frequency Hz	Current A	Power Watt max.	Speed RPM	Noise dB	Airflow CFM	Static pressure mmH2O	Weight gram
18065B110	●	115	50/60	0.42/0.45	47/40	2600/3000	63/68	355/405	17.7/21.6	1800
18065B220	●	230	50/60	0.21/0.20	47/40	2300/3000	63/68	355/405	17.7/21.6	1800

-P Terminals output 端子輸出

1 inH2O = 25.4 mmH2O