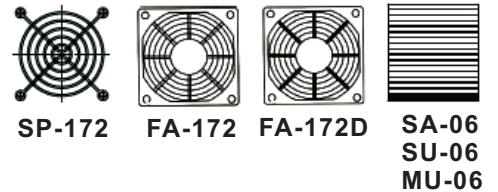


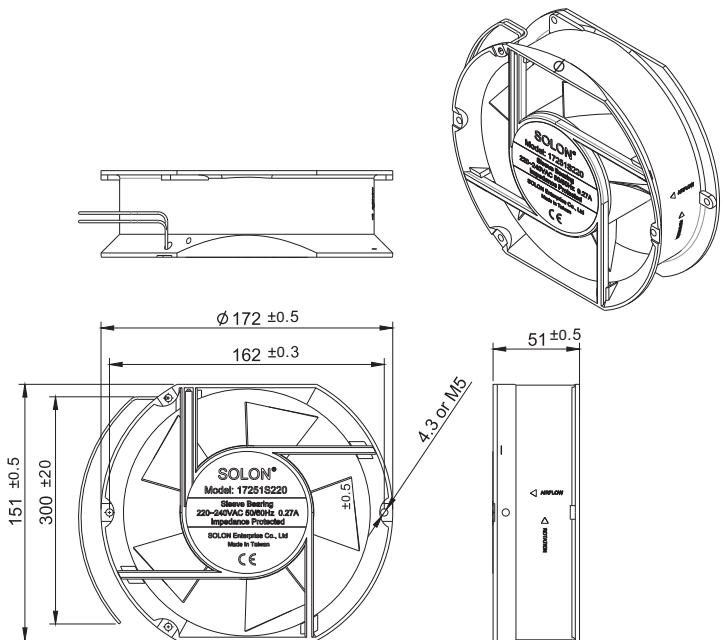
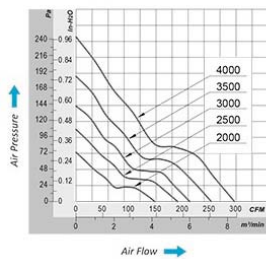
Characteristic: 特色

Frame 外殼: Aluminum alloy 鋁合金
 Impeller 扇葉: UL 94V-0, PBT Reinforced plastic 防火纖維塑膠
 Lead wire 導線: UL1015 20 AWG, Length: 長度 30 cm
 Insulation 絕緣等級: B class @130 °C
 Operating temperature 使用溫度: -10 to +80 °C
 Bearing 軸承: 2 Balls types 雙滾珠軸承
 Motor 馬達: AC/DC Energy EC Motor AC/DC 馬達

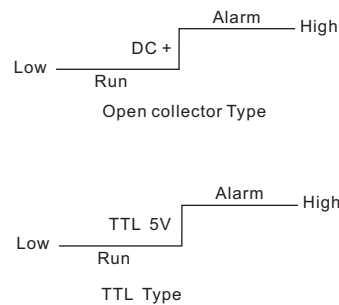
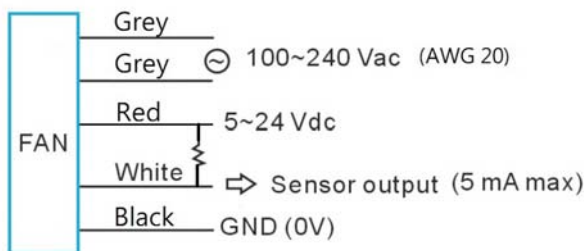


Specification 規格

172x150x51mm (6") With Alarm 附停轉警報



With Rotate Detection wiring



Model	Dual Balls Bearing	Voltage VAC ±10%	Frequency Hz	Current A	Power Watt max.	Speed RPM	Noise dB	Airflow CFM	Static pressure mmH ₂ O	Weight gram
17251BE-D	●	90~240	50/60	0.2	18	3000	55	220	20.3	720
17251BE-DR	●	90~240	50/60	0.2	18	3000	55	220	20.3	740

-R With RD (Rotate Detection) Alarm output 停轉警報 (白線)

1 inH₂O = 25.4 mmH₂O