

SOLON

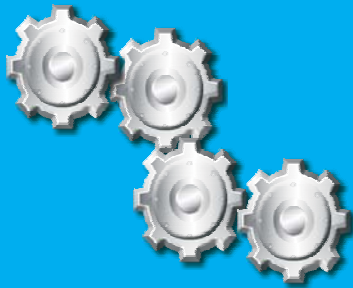
Since 1992

FOOT SWITCH 腳踏開關



ISO 9001:2015

Made In Taiwan



SOLON Enterprise Co., Ltd.

洋健企業股份有限公司

www.solon.com.tw

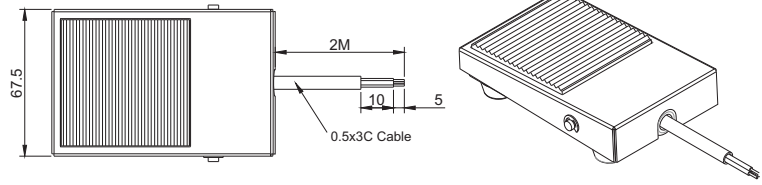
Copyright © SOLON Enterprise Co., Ltd. all rights reserved

FW-101

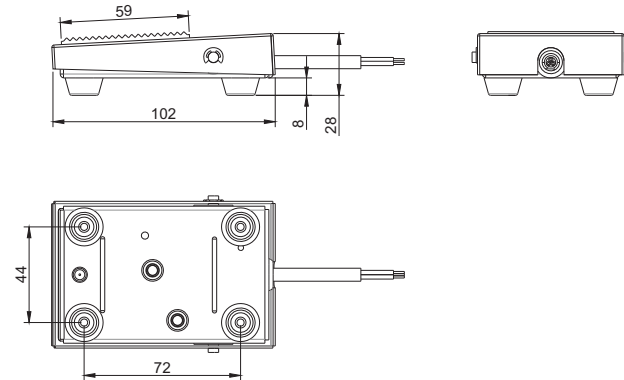
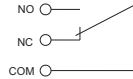


Characteristic 特性:

Materials 材質: Cover上蓋- SPCC, Painting 烤漆, Black 黑
 Chassis底座- SPCC, Painting 烤漆, Black 黑
 Switch rating 額定電流: 3A / 250VAC
 Insulation strength 絕緣強度: 100MΩ @ 500V /minute
 Operating temperature 使用溫度: -10 to +80°C
 Dielectric strength 耐電壓: 1,500 VAC @ 1minute
 Degree of Protection防護等級: IP-30



Micro Switch VM-210



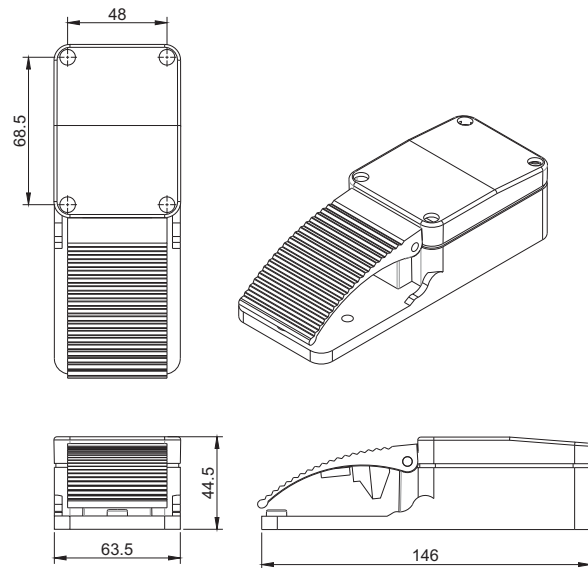
Model 型號	Switch 開關	Contact type 接點型式	Cable 線纜	Cable length 線長	Output type 輸出型式
FW-101-□M	10A/250Vac	1C(VM-210)	0.5X3C (H03VV-F)	1-3M	Stripping 剝線
FW-191-□M	10A/250Vac	1C (V-15-1C25)	0.5X3C (H03VV-F)	1-3M	Stripping 剝線

FW-105

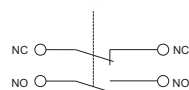


Characteristic 特性:

Materials 材質: Cover上蓋- Die-casting Aliminum alloy 鋁合金, Gray 灰
 Chassis底座- Die-casting Aliminum alloy 鋁合金, Gray 灰
 Switch rating 額定電流: 6A / 250VAC
 Insulation strength 絕緣強度: 100MΩ @ 500V /minute
 Operating temperature 使用溫度: -10 to +80°C
 Dielectric strength 耐電壓: 1,500 VAC @ 1minute
 Degree of Protection防護等級: IP-54
 Applicable Cable適用線纜: Outer diameter Φ8 ~ 11



Compact Limit switch SW-205



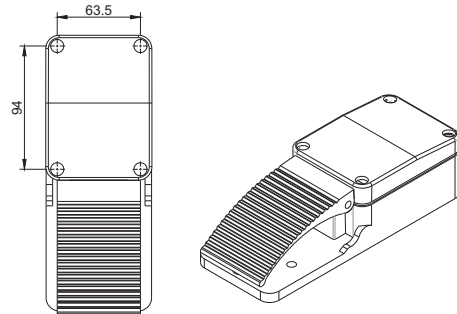
Model 型號	Switch 開關	Contact type 接點型式	Cable 線纜	Cable length 線長	Output type 輸出型式
FW-105	6A/250Vac	1a1b (SW-205)	-	-	-
FW-105-□M	6A/250Vac	1a1b(SW-205)	0.75X3C (H03VV-F)	1-3M	Stripping 剝線

FW-105A

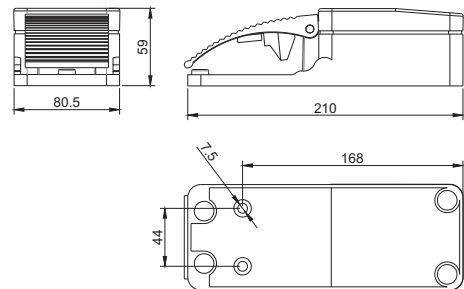
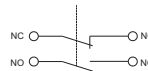


Characteristic 特性:

Materials 材質: Cover上蓋- Die-casting Aliminum alloy 鋁合金, Painting 烤漆, Gray 灰
 Chassis底座- Die-casting Aliminum alloy 鋁合金, Painting 烤漆, Gray 灰
 Switch rating 額定電流: 6A / 250VAC
 Insulation strength 絕緣強度: 100M @ 500V /minute
 Operating temperature 使用溫度: -10 to +80 °C
 Dielectric strength 耐電壓: 1,500 VAC @ 1minute
 Degree of Protection防護等級: IP-54
 Applicable Cable適用線纜: Outer diameter Φ8 ~ 11



Compact Limit switch
SW-205



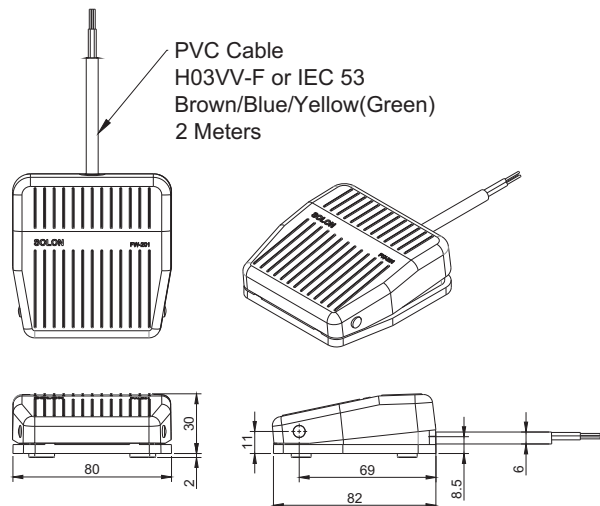
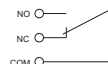
Model 型號	Switch 開關	Contact type 接點型式	Cable 線纜	Cable length 線長	Output type 輸出型式
FW-105A	6A/250Vac	1a1b(SW-205)	-	-	-
FW-105A-□M	6A/250Vac	1a1b(SW-205)	0.75X3C (H03VV-F)	1-3M	Stripping 剝線

FW-201



Characteristic 特性:

Materials 材質: Cover上蓋- ABS Resin, UL 94V-0, Gray 灰
 Chassis底座- ABS Resin, UL 94V-0, Gray 灰
 Switch rating 額定電流: 3A / 250VAC
 Insulation strength 絕緣強度: 100M @ 500V /minute
 Operating temperature 使用溫度: -10 to +80 °C
 Dielectric strength 耐電壓: 1,500 VAC @ 1minute
 Degree of Protection防護等級: IP-30



4P Φ16mm 航空插頭 AC power cord 電源插頭 Φ3.5mm DC JACK 插頭

Model 型號	Switch 開關	Contact type 接點型式	Cable 線纜	Cable length 線長	Output type 輸出型式
FW-201-□M	10A/250Vac	1C (VM-210)	0.5X3C (H03VV-F)	1-3M	Stripping 剝線
FW-201-□MD	10A/250Vac	1a(VM-210)	0.5X2C (H03VV-F)	1-3M	Φ3.5mm DC JACK 插頭
FW-201-□MA	10A/250Vac	1a(VM-210)	0.5X2C (H03VV-F)	1-3M	AC power cord 電源插頭
FW-201-□MP	10A/250Vac	1C(VM-210)	0.5X3C (H03VV-F)	1-3M	4P Φ16mm 航空插頭

FW-202

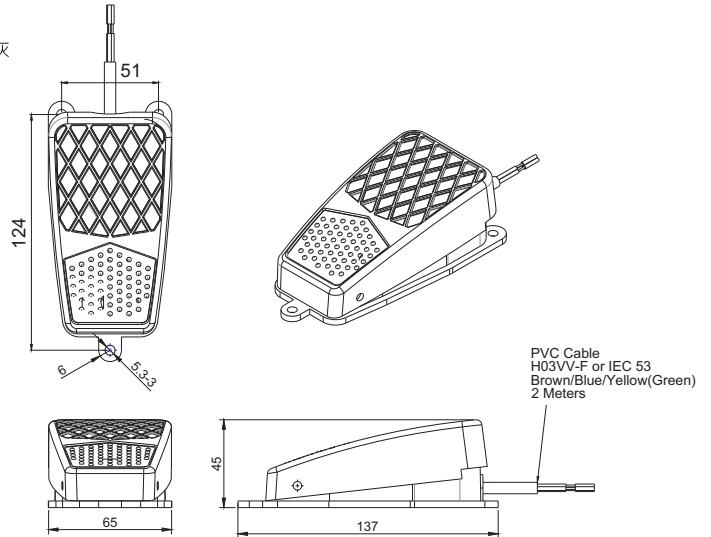
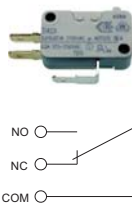


Characteristic 特性:

Materials 材質: Cover上蓋-Die-casting Aliminum alloy 鋁合金, Gray 灰
 Chassis底座- Die-casting Aliminum alloy 鋁合金, Gray 灰
 Switch rating 額定電流: 3A / 250VAC
 Insulation strength 絕緣強度: 100MΩ @ 500V /minute
 Operating temperature 使用溫度: -10 to +80 °C
 Dielectric strength 耐電壓: 1,500 VAC @ 1minute
 Degree of Protection防護等級: IP-30



Micro Switch
VM-210



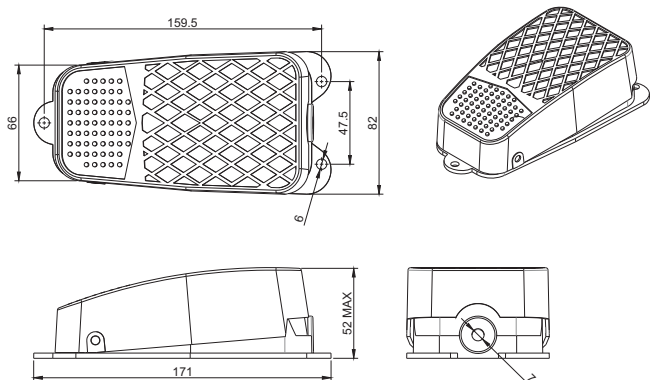
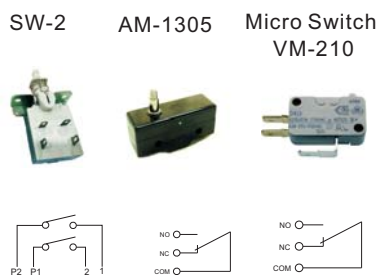
Model 型號	Switch 開關	Contact type 接點型式	Cable 線纜	Cable length 線長	Output type 輸出型式
FW-202-□M	10A/250Vac	1C(VM-210)	0.5X3C (H03VV-F)	1-3M	Stripping 剝線
FW-292-□M	10A/250Vac	1C (V-15-1C25)	0.5X3C (H03VV-F)	1-3M	Stripping 剝線

FW-202C



Characteristic 特性:

Materials 材質: Cover上蓋- Die-casting Aliminum alloy 鋁合金, Green 綠
 Chassis底座- Die-casting Aliminum alloy 鋁合金, Green 綠
 Switch rating 額定電流: 3A / 250VAC
 Insulation strength 絕緣強度: 100MΩ @ 500V /minute
 Operating temperature 使用溫度: -10 to +80 °C
 Dielectric strength 耐電壓: 1,500 VAC @ 1minute
 Degree of Protection防護等級: IP-30
 Applicable Cable適用線纜: Outer diameter Φ8 ~ 11



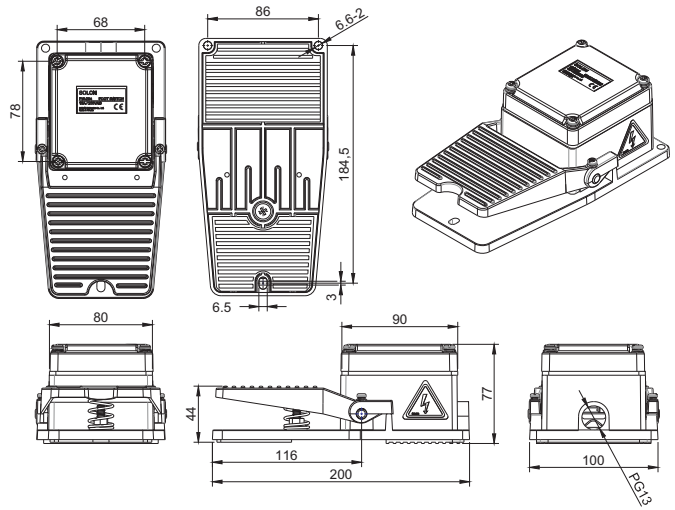
Model 型號	Switch 開關	Contact type 接點型式	Cable 線纜	Cable length 線長	Output type 輸出型式
FW-202C-□M	10A/250Vac	1C(VM-210)	0.5X3C (H03VV-F)	1-3M	Stripping 剝線
FW-292C-□M	15A/250Vac	1C (V-15-1C25)	0.5X3C (H03VV-F)	1-3M	Stripping 剝線
FW-272C-□M	2A(8A) /250Vac	ON-OFF Alternate 交替式(SW-2)	0.5X3C (H03VV-F)	1-3M	Stripping 剝線
FW-262C-□M	15A/250Vac	1C (AM-1305)	0.5X3C (H03VV-F)	1-3M	Stripping 剝線



Characteristic 特性:

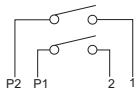
Materials 材質: Cover上蓋-Die-casting Aliminum alloy 鋁合金, Painting 烤漆
 Chassis底座- Die-casting Aliminum alloy 鋁合金, Painting 烤漆
 Switch rating 額定電流: 6A / 250VAC (H05VV-F. 0.75x3C)
 Insulation strength 絕緣強度: 100MΩ @ 500V /minute
 Operating temperature 使用溫度: -10 to +80 °C
 Dielectric strength 耐電壓: 1,500 VAC @ 1minute
 Degree of Protection防護等級: IP-54
 Applicable Cable適用線纜: Outer diameter Φ8 ~ 11

FW-203

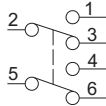


Alternate switch 交替式開關

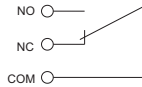
AC-04



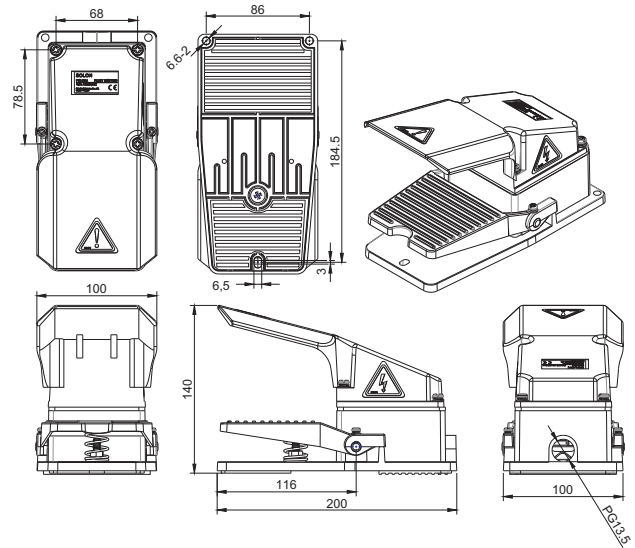
DS-008



AM-1704



FW-204 / FW-204D



FW-203



FW-204



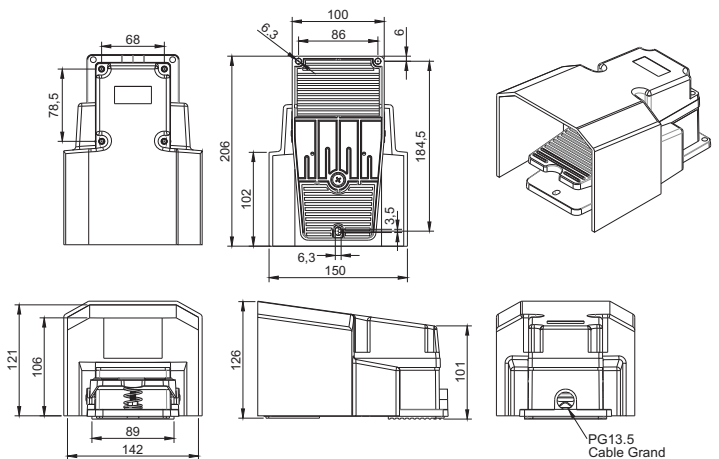
FW-204D



FW-204B



FW-204B



Model 型號	Switch 開關	Contact type 接點型式	Color of Cover 上蓋顏色
FW-203	15A/250Vac	1C (AM-1704)	Gray 灰
FW-293	15A/250Vac	1C (Z-15GW22)	Gray 灰
FW-204	15A/250Vac	1C (AM-1704)	Gray 灰
FW-294	15A/250Vac	1C (Z-15GW22)	Gray 灰
FW-204D	15A/250Vac	1C (AM-1704)	Yellow 黃
FW-294D	15A/250Vac	1C (Z-15GW22)	Yellow 黃
FW-204DA	10A/250Vac	ON-OFF Alternate 交替式 (AC-04)	Yellow 黃
FW-204DB	6A/250Vac	ON-OFF Alternate 交替式 (DS-008)	Yellow 黃
FW-204D2	15A/250Vac	1Cx2 (AM-1704)	Yellow 黃
FW-294D2	15A/250Vac	1Cx2 (Z-15GW22)	Yellow 黃
FW-204B	15A/250Vac	1C(AM-1704)	Yellow 黃
FW-294B	15A/250Vac	1C (Z-15GW22)	Yellow 黃

Characteristic 特性 :

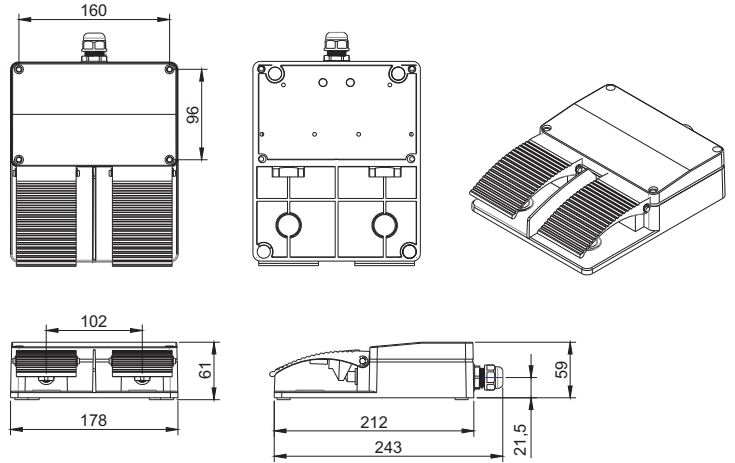
Materials 材質: Cover上蓋- Die-casting Aliminum alloy 鋁合金, Painting 烤漆
 Chassis底座- Die-casting Aliminum alloy 鋁合金, Painting 烤漆
 Switch rating 額定電流: 5A / 250VAC (H05VV-F, 0.75x3C)
 Insulation strength 絕緣強度: 100MΩ @ 500V /minute
 Operating temperature 使用溫度: -10 to +80°C
 Dielectric strength 耐電壓: 1,500 VAC @ 1minute
 Degree of Protection 防護等級: IP-54
 Applicable Cable 適用線纜: Outer diameter Φ8 ~ 11



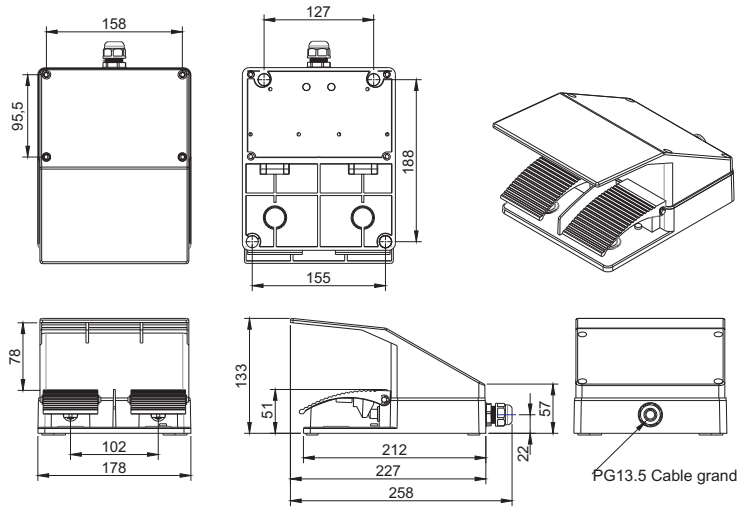
Compact Limit switch
SW-205

Schematics

FW-205A



FW-205 / FW-205C



FW-205



FW-205A



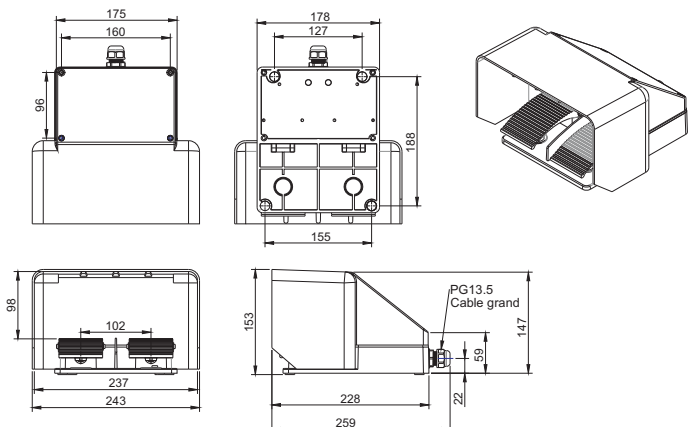
FW-205B



FW-205C



FW-205B



Model 型號	Switch 開關	Contact type 接點型式	Color of Cover 上蓋顏色
FW-205	5A/250Vac	(1a1b, SW-205) x2	Gray 灰
FW-205A	5A/250Vac	(1a1b, SW-205) x2	Gray 灰
FW-205B	5A/250Vac	(1a1b, SW-205) x2	Yellow 黃
FW-205C	5A/250Vac	(1a1b, SW-205) x2	Yellow 黃